

**Model:TLPA2.7G3.5G-25-56**
**Power Amplifier**
**2.7GHz-3.5GHz, Gain:25dB, Psat:56dBm**
**Feature:**

- Wide Band: 2.7GHz-3.5GHz
- Gain: 25dB Typ
- Psat Output Power: 56 dBm Min
- Good Power and Gain Flatness
- 50 Ohm Matched Input / Output

**电气特性 Electrical Specifications:**

参数Parameter	Min	Typ	Max	单位 Units
频率范围 Frequency range	2.7-3.5			GHz
功率增益 Power Gain	20	25		dB
增益平坦度 Gain Flatness		±1	±2	dB
线性输出功率 Output P1dB		50		dBm
饱和输出功率 Output Psat	56	57		dBm
谐波抑制 Harmonics @Pout=56dBm			20	dBc
输入驻波 Input VSWR		1.5	2.0	:1
直流电压 DC Voltage	26	28	30	V DC
直流电流 DC Supply Current		50	70	A
阻抗 Impedance	50			Ohms

**机械特性 Mechanical Specifications:**

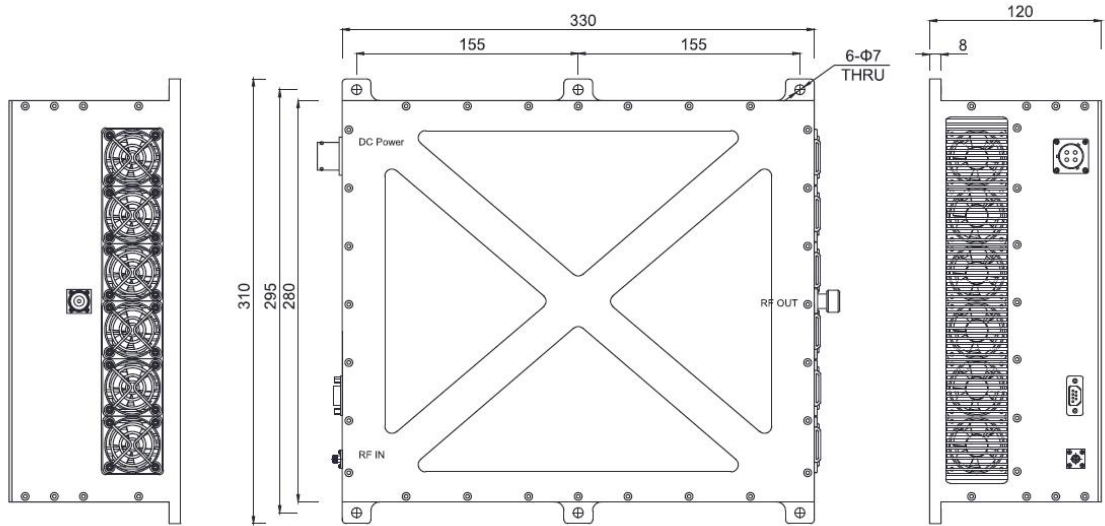
参数Parameter	指标 Value	单位Units
输入输出接口 Input /Output Connector	SMA/N Female	
直流偏置 Bias	Four core avionics	
尺寸 Size	330*310*120	mm
重量 Weight	14	Kg


**Available 220V System  
Benchtop Amplifier**
**绝对最大值 Absolute Maximum Ratings:**

参数Parameter	指标 Value
供电偏置电压 Supply Bias Voltage	30V
输入功率 RF INPUT POWER	40 dBm
ESD灵敏度 ESD sensitivity (HBm)	Class 0, passed 150V

外形尺寸 Outline Drawing:

Unit: mm



**\*\*\*Heat Sink Required During Operation**



OBSERVE PRECAUTIONS  
ELECTROSTATIC SENSITIVE  
DEVICES

温度环境 Environmental Conditions:

参数Parameter	Min	Typ	Max	单位Units
操作温度 Operating Temperature	-20		+50	°C
存储温度 Non-operating Temperature	-20		+60	°C
相对湿度 Relative humidity		95		%
海拔 Altitude	30,000			feet
震动 Shock / Vibration(MIL-STD-810F)	25g rms (15 degree 2KHz) endurance, 1 hour per axis			
冲击 Shock(non operating)	20G for 11msc half sin wave,3 axis both directions			

订货信息 Ordering Information:

标准型号 Part Number	描述 Description	版本号Revision
TLPA2.7G3.5G-25-56	Power amplifier 2.7GHz-3.5GHz, Gain:25dB, Psat:56dBm, 28V DC, Without Heatsink	Rev.1.0
TLPA2.7G3.5G-25-56-HS	Power amplifier 2.7GHz-3.5GHz, Gain:25dB, Psat:56dBm, 28V DC, With Heatsink	Rev.1.0