

Model:TLPA2G4G-57-57-BC
**Solid State High Power Amplifier Systems
 2-4GHz,Gain:57dB,Psat:500 Watts**
Feature:

- Wide Band: 2-4GHz
- Gain: 57dB Min
- Psat Output Power: 500 Watts Min
- Protection:Over TEM,over voltage, over current ,over VSWR protection.
- 50 Ohm Matched Input / Output


电气特性 Electrical Specifications:

参数Parameter	代码Symbo	Min	Typ	Max	单位Units
频率范围 Frequency range	BW	2-4			GHz
增益 Gain	GP	57	58		dB
增益平坦度 Gain Flatness	Δ GL		± 3.0	± 4.0	dB
线性输出功率 Output P1dB	P1dB		200		Watts
饱和输出功率 Output Psat	Psat	500	550		Watts
杂散 Spurious@500 Watts	Spur			-50	dBc
谐波 Harmonics@500 Watts	HAM		-15	-10	dBc
输入驻波 Input VSWR	VSWRin		1.5	2.0	:1
交流电压 AC Voltage	Vac	110	220		V AC
交流功耗 AC Input Power	Pdiss			4000	Watts
阻抗 Impedance	I/O-IMP	50			Ohms

机械特性 Mechanical Specifications:

参数 Parameter	指标Value	单位 Units	备注 Notes
输入输出接口 Input /Output Connector	Input:N Female Output:7/16 Female		
尺寸 Size	482.6*133.2*668.5	mm	Excluding handles
重量 Weight	40	kg	

绝对最大值 Absolute Maximum Ratings:

参数Parameter	指标 Value
输入功率 RF INPUT POWER	5 dBm
ESD灵敏度 ESD sensitivity (HBm)	Class 0, passed 150V

保护 PROTECTIONS:

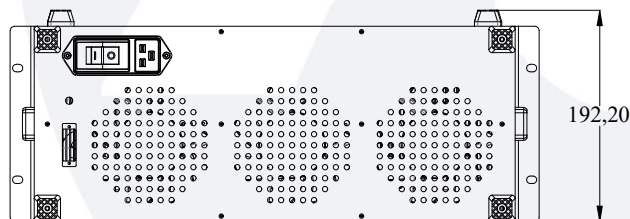
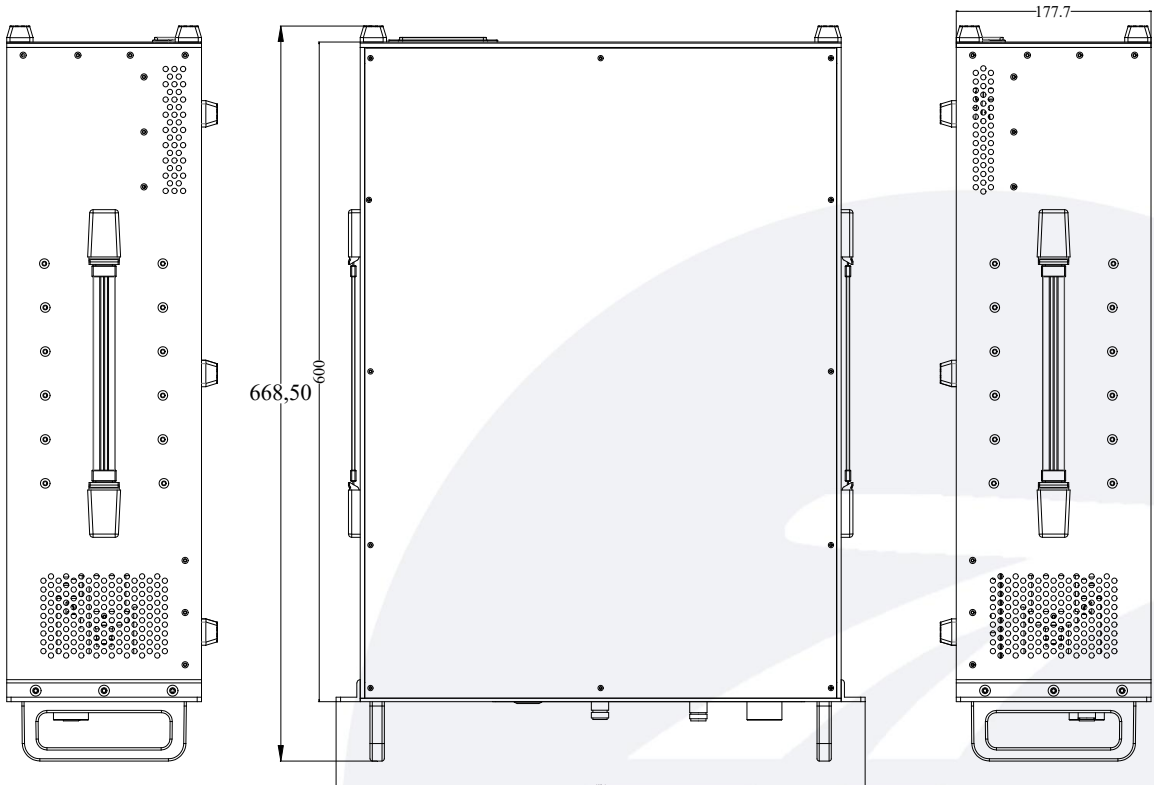
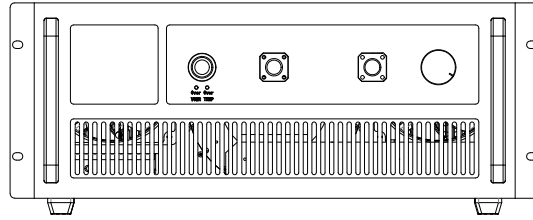
参数 Parameter	特性 Specification
Input Overdrive	At +10 dBm or higher, PA will be shutdown
VSWR protection	At 4:1 or higher, PA will be shutdown
Thermal – Graceful Degradation	Ambient 50°C

Monitor and control interface, D-sub, 15-Pin, Female

Pin	Description	Specification
1	FWD	Forward detected power (analog voltage: 0 – 5 Volt)
2	REV	Reverse detected power (analog voltage: 0 – 5 Volt)
3	Summary Fault	Summary Fault: Active TTL Logic Low ($\leq 0.7V$) = Fault (Internally Pulled-High)
4	Shutdown	Amplifier Disable: TTL Logic Low ($\leq 0.7V$) (Internally Pulled-High)
5	Over Temp	TTL Logic High (2V-5V) = Fault (Internally Pulled-Low)
6	Over RF IN	TTL Logic High (2V-5V) = Fault (Internally Pulled-Low)
7	Over VSWR	TTL Logic High (2V-5V) = Fault (Internally Pulled-Low)
8	GND	Ground
9-15	NC	No Connection

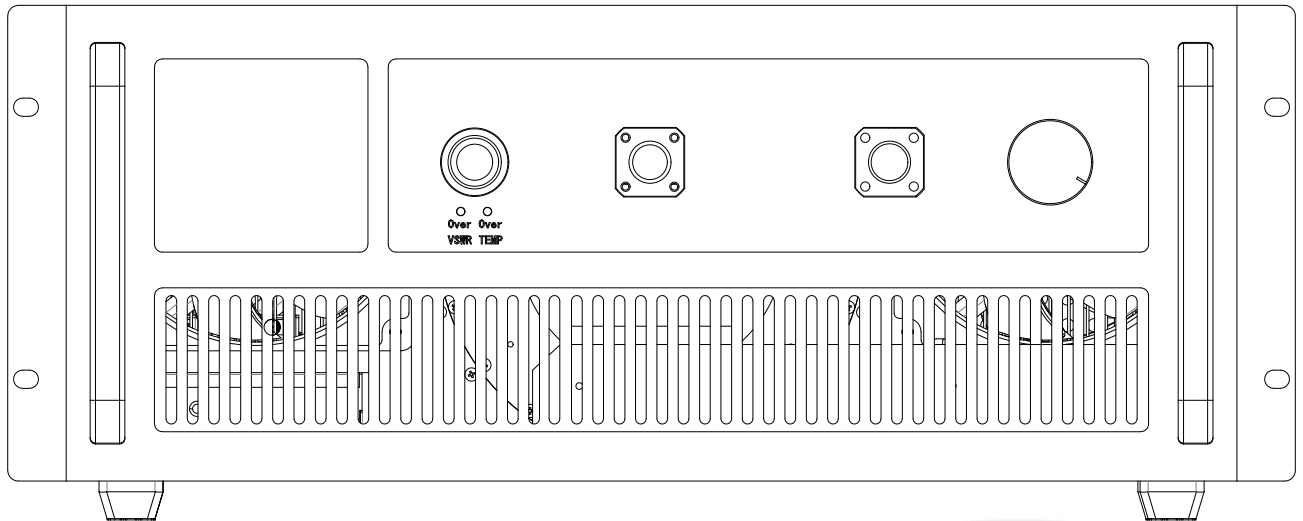
外形尺寸Outline Drawing:

Unit: mm



外形尺寸 Outline Drawing:

Unit: mm



主要功能 Key Features:



OBSERVE PRECAUTIONS
ELECTROSTATIC SENSITIVE
DEVICES

参数 Parameter	特点 Advantages
控制功能 Control functions	1, Power setting On/Off
内置保护功能 Protection functions	1, Over TEM 2, Over voltage 3, Over current protection 4, Over VSWR
冷却系统 Cooling system	Built in Cooling system, forced air cooling

温度环境 Environmental Conditions:

参数Parameter	Min	Typ	Max	单位Units
操作温度 Operating Temperature	0		+50	°C
存储温度 Non-operating Temperature	-40		+85	°C
相对湿度 Relative humidity		95		%
海拔 Altitude	15,000			feet
冲击/震动 Shock / Vibration(MIL-STD-810F)	Normal Truck Transport			

订货信息 Ordering Information:

标准型号 Part Number	描述 Description	版本号Revision
TLPA2G4G-57-57-BC	Solid State High Power Amplifier Systems 2-4GHz, Gain:57dB, Psat:500 Watts, 220V AC, Built in Fan Cooling	Rev.1.0