

Model: TMPA-070110-1620-10
W-band Power Amplifier
70-110 GHz, Psat:23 dBm, Gain:20dB
Feature:

- Frequency Range: 70-110 GHz
- Gain:20 dBm Type
- Output Power Psat: 23 dBm Type
- Good Power and Gain Flatness

电气特性 Electrical:

参数Parameter	Min.	Typ.	Max.	单位Units
频率范围 Frequency range	70-110			GHz
小信号增益 Small Signal Gain	15	20		dB
增益平坦度 Gain Flatness		±5		dB
线性输出功率 P1dB		15		dBm
饱和输出功率Psat	19.5	23		dBm
直流电压 DC Voltage		+5		V DC
直流电流 DC Supply Current		900		mA

机械特性 Mechanical :

参数Parameter	指标 Value	单位Units
输入输出接口Input /Output Connector	WR-10/ UG-387/U	
直流偏置 Bias	Solder Pin	
外导体 Case Material	Aluminum	
表贴 Finish	Gold Plated	
尺寸 Size	50*40*20	mm
重量 Weight	/	g

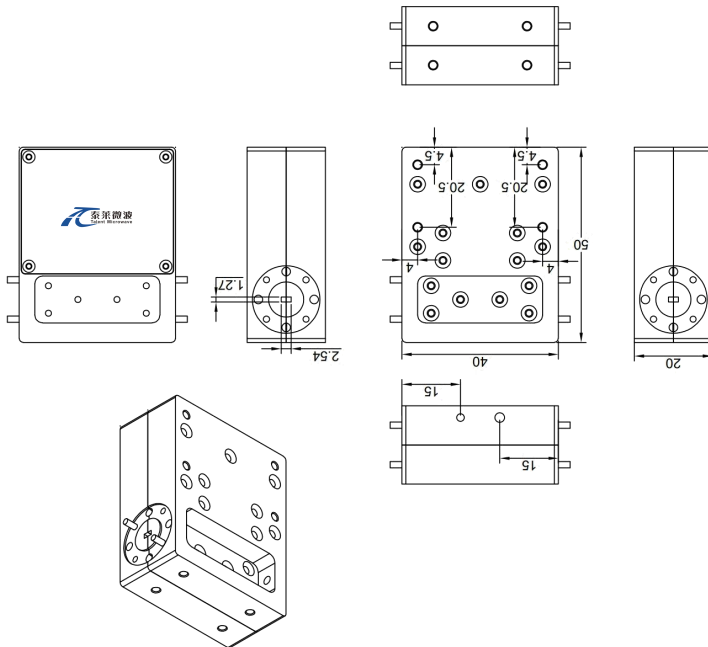
绝对最大值 Absolute Maximum Ratings:

参数Parameter	指标 Value
供电偏置电压 Supply Bias Voltage	+6 V DC
输入功率 RF INPUT POWER	10 dBm
ESD灵敏度 ESD sensitivity (HBm)	Class 0, passed 150V


**Available 220V System
 Benchtop Amplifier**

外形尺寸 Outline Drawing:

Unit: mm



*****Heat Sink Required During Operation**



OBSERVE PRECAUTIONS
ELECTROSTATIC SENSITIVE
DEVICES

温度环境 Environmental Conditions:

参数Parameter	Min.	Typ.	Max.	单位Units
操作温度 Operating Temperature	-45		+85	°C
存储温度 Non-operating Temperature	-55		+125	°C
相对湿度 Relative humidity		95		%
海拔 Altitude	50,000			feet
震动 Shock / Vibration(MIL-STD-810F)	25g rms (15 degree 2KHz) endurance, 1 hour per axis			
冲击 Shock(non operating)	20G for 11msc half sin wave,3 axis both directions			

订货信息 Ordering Information:

标准型号 Part Number	描述 Description	版本号Revision
TMPA-70110-1620-10	W-band Power Amplifier 70-110 GHz, Psat:23 dBm, Gain:20dB, Without Heatsink	
TMPA-70110-1620-10-HS	W-band Power Amplifier 70-110 GHz, Psat:23 dBm, Gain:20dB, With Heatsink	Rev.1.1