

Model: TLAM-0416-0215-S
**Active Multiplier
 X2, 4-16 GHz, +15 dBm Output Power,**
Feature:

- Output Frequency: 4-16 GHz
- Output Power : 15dBm Typ
- Low power consumption
- 50 Ohm Matched Input / Output

电气特性 Electrical Specifications:

参数Parameter	Min.	Typ.	Max.	单位Units
输出频率 Output Frequency	4		16	GHz
输出功率 Output Power		+15		dBm
输入频率 Input Frequency	2		8	GHz
输入功率 Input Power	+5		+10	dBm
倍频次数 Multiply Factor		2		
谐波抑制 Harmonic Suppression		26		dBc
供电电压 DC Voltage	+8	+12	+15	V
供电电流 DC Supply Current		110		mA

机械特性 Mechanical Specifications:

参数Parameter	指标 Value	单位Units
输出接口 Output Connector	SMA Female	
输入接口 Input Connector	SMA Female	
直流偏置 Bias	Solder Pin	
尺寸 Size	44.8×29.2×11	mm

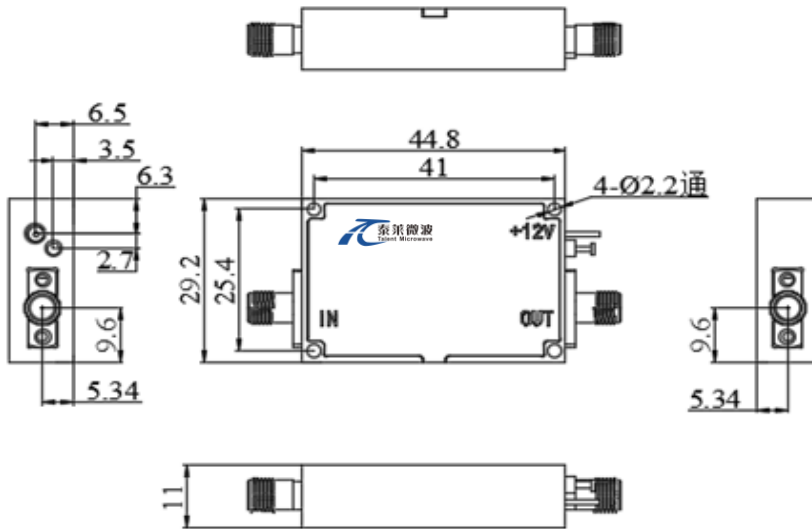

 Available 220V System
 Benchtop Amplifier

绝对最大值 Absolute Maximum Ratings:

参数Parameter	指标 Value
供电偏置电压 Supply Bias Voltage	+15 V
输入功率 RF Input Power	+18 dBm
ESD灵敏度 ESD sensitivity (HBm)	Class 0, passed 150V

外形尺寸 Outline Drawing:

Unit: mm



OBSERVE PRECAUTIONS
ELECTROSTATIC SENSITIVE
DEVICES

温度环境 Environmental Conditions:

参数Parameter	Min.	Typ.	Max.	单位Units
操作温度 Operating Temperature	-55		+85	°C
存储温度 Non-operating Temperature	-65		+150	°C
相对湿度 Relative humidity		95		%
海拔 Altitude	50,000			feet
震动 Shock / Vibration(MIL-STD-810F)	25g rms (15 degree 2KHz) endurance, 1 hour per axis			
冲击 Shock(non operating)	20G for 11msc half sin wave,3 axis both directions			

订货信息 Ordering Information:

标准型号 Part Number	描述 Description	版本号Revision
TLAM-0416-0215-S	Active Multiplier X2, 4-16 GHz ,+15 dBm Output Power,	Rev.1.1