

Model: TLLA6G18G-39-20
Low Noise Amplifier
6-18G, NF: 2dB, Gain: 35dB, P1dB: 20dBm
Feature:

- Ultra Wide Band: 6-18 GHz
- Gain: 39 dB
- Noise Figure: 2.0dB
- Unconditional stability
- 50 Ohm Matched Input / Output

电气特性 Electrical:

参数Parameter	Min.	Typ.	Max.	单位Units
频率范围 Frequency range	6-18			GHz
增益 Gain	39	42		dB
增益平坦度 Gain Flatness		±2		
噪声系数 Noise Figure			2.0	dB
输出功率1dB压缩点 Output P1dB	20			dBm
输入驻波 Input VSWR		2.0		: 1
输出驻波 Output VSWR		2.0		: 1
直流电压 DC Voltage		+12		V DC
直流供电 DC power supply		100@max		mA
阻抗 Impedance	50			Ohms

机械特性 Mechanical :

参数Parameter	指标 Value
输入接口 Input Connector	SMA Female
输出接口 Output Connecto	SMA Female
供电引脚 Power Supply Pin	Solder Pin
尺寸 Size	44.8mm*29.2mm*11 mm

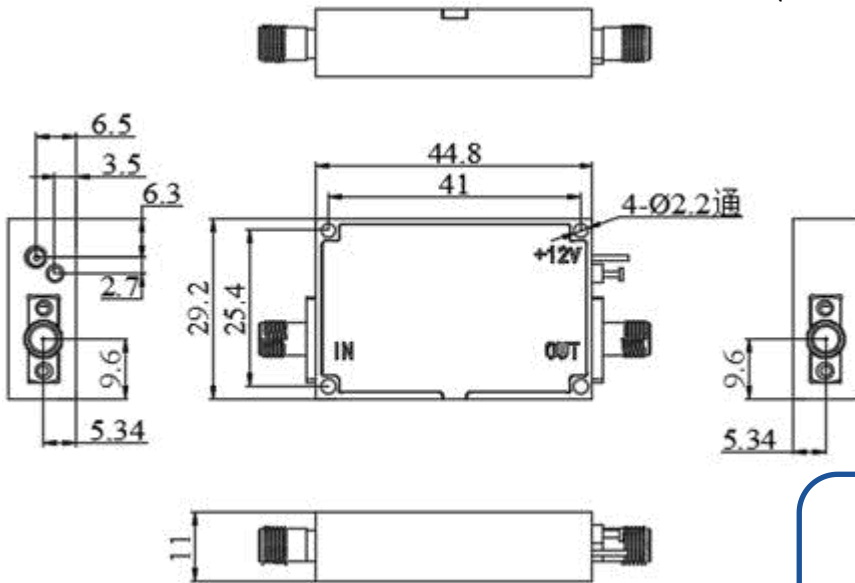

 Available 220V System
 Benchtop Amplifier

绝对最大值 Absolute Maximum Ratings:

参数Parameter	指标 Value
供电偏置电压 Supply Bias Voltage	+15V
输入功率 RF INPUT POWER	18 dBm
ESD灵敏度 ESD sensitivity (HBm)	Class 0, passed 150V

外形尺寸 Outline Drawing:

Unit: mm(Inches)



温度环境 Environmental Conditions:

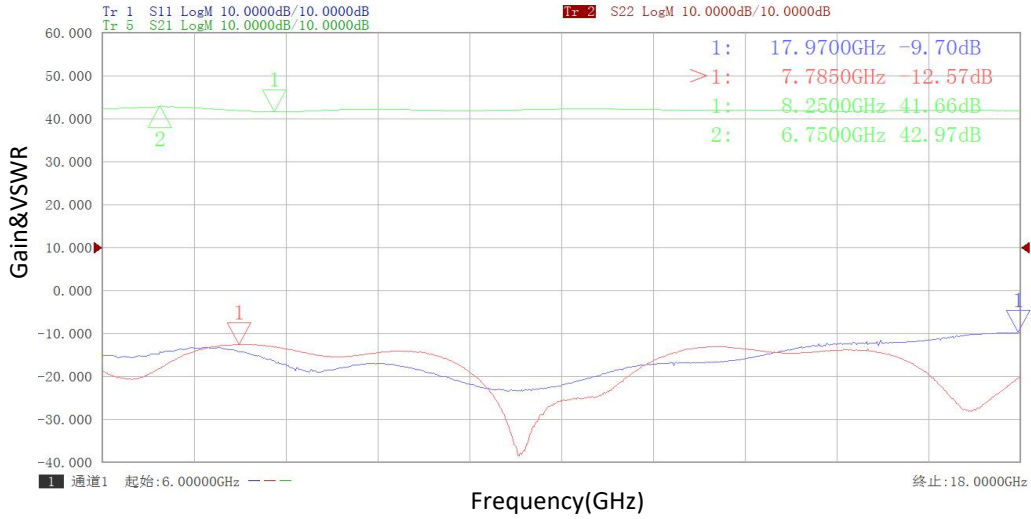
参数Parameter	Min.	Typ.	Max.	单位Units
操作温度 Operating Temperature	-25		+85	°C
存储温度 Non-operating Temperature	-55		+125	°C
相对湿度 Relative humidity		95		%
海拔 Altitude	50,000			feet
震动 Shock / Vibration(MIL-STD-810F)	25g rms (15 degree 2KHz) endurance, 1 hour per axis			
冲击 Shock(non operating)	20G for 11msc half sin wave,3 axis both directions			

订货信息 Ordering Information:

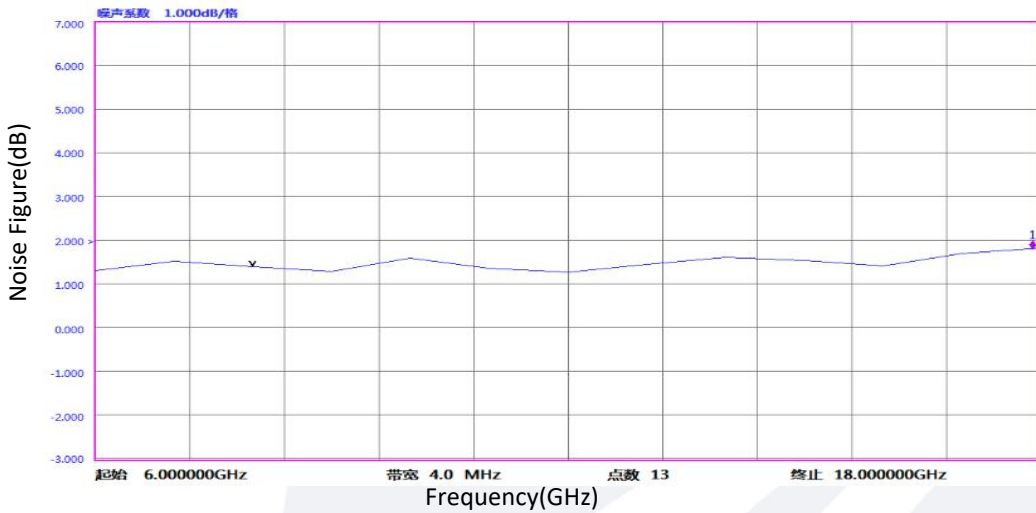
标准型号 Part Number	描述 Description	版本号Revision
TLLA6G18G-39-20	Low Noise Amplifier 6-18G,NF:2dB,Gain: 39dB,P1dB:20dBm	Rev.1.1

典型曲线 Typical Performance Data:

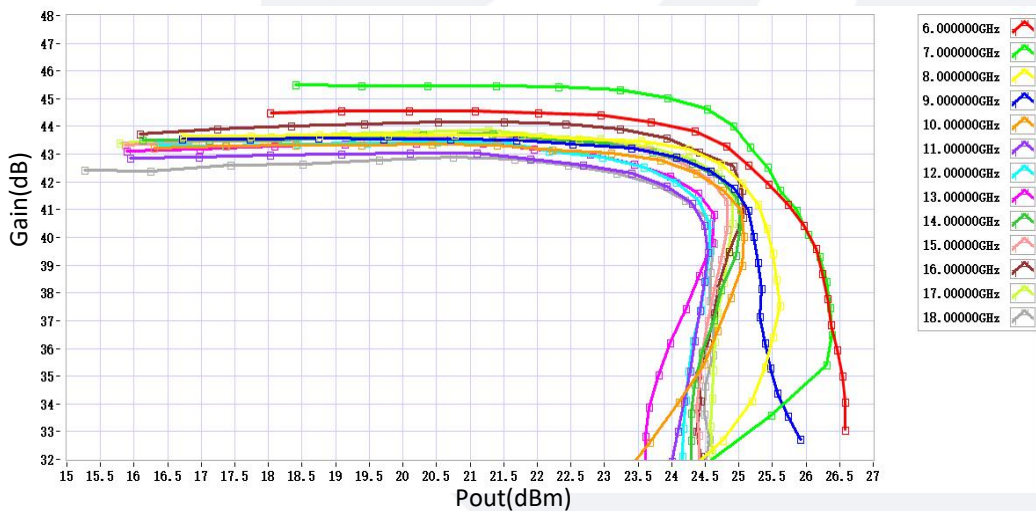
Gain&VSWR vs Frequency



Noise Figure vs Frequency

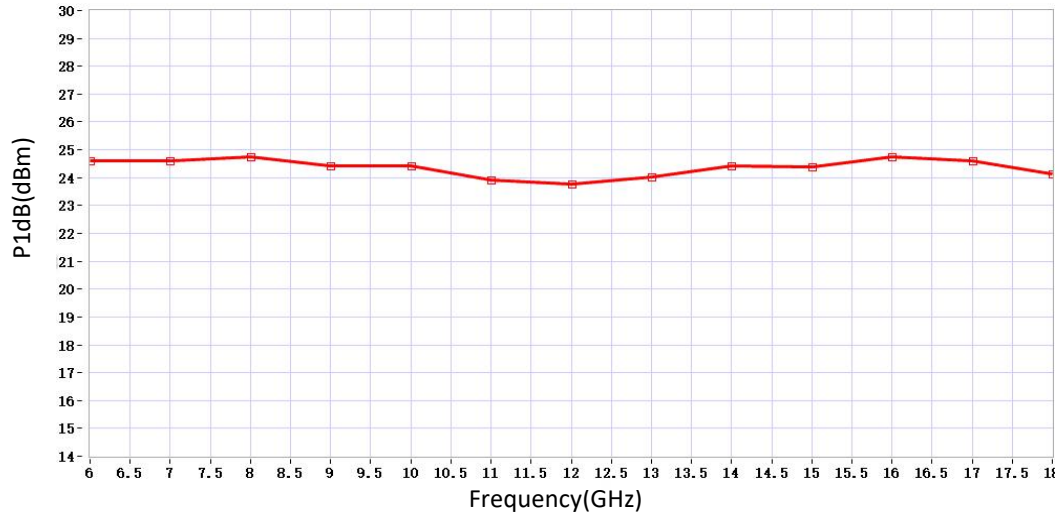


Gain vs Output Power

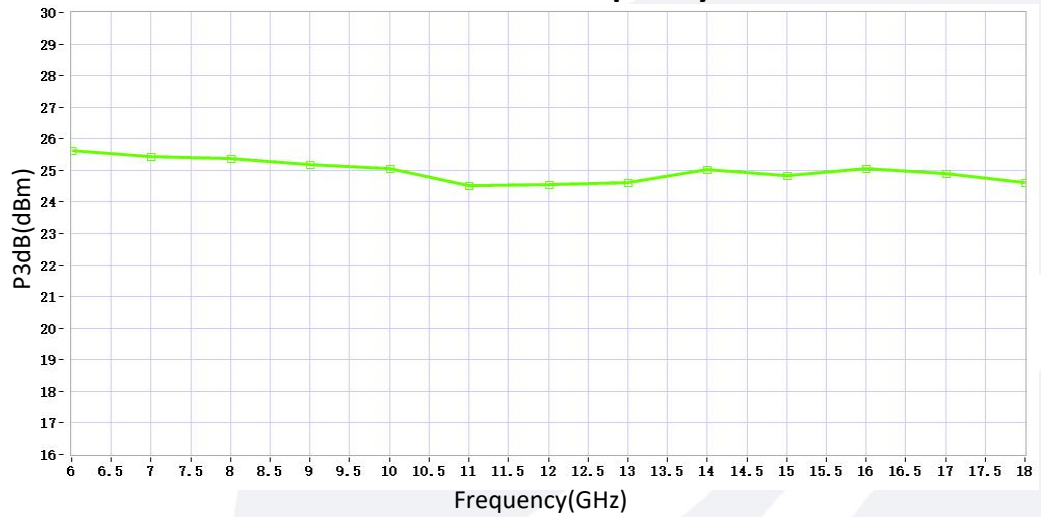


典型曲线 Typical Performance Data:

P1dB vs Frequency



P3dB vs Frequency



PSat vs Frequency

