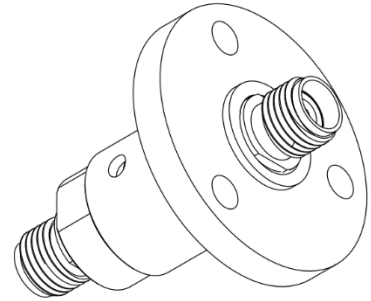


**Part No: RJ1-50-009**

**DC-50 GHz, 2.4mm Female, 单通道旋转关节, single channel**

**电气特性 ELECTRICAL:**

工作频率 Frequency :	DC-50GHz
插入损耗 Insertion Loss:	≤0.5 dB@26.5 GHz ≤0.9dB@50.0 GHz
插损360度变化	
Insertion Loss WOW:	≤0.1dB
驻波 VSWR :	≤1.40:1@26.5GHz ≤1.70:1@50.0GHz
驻波360度变化	
VSWR WOW:	≤0.05
耐功率 Power:	50 W CW @1GHz 500 W Peak@1GHz



**机械特性 MECHANICAL :**

转动速度 Speed:	≤200rpm
启动力矩 Torque:	0.5 Z-IN Typ
材质 Material:	不锈钢
温度范围Temperature Range:	-40° C - +70° C
接口Connectors:	2.4mm-Female
相对湿度Relative Humidity:	0 ~ 90%

**外形尺寸Outline Drawing:**

Unit: mm

