

Model: TLP0.5G6G-43-43-GA30-BC

**Solid State High Power Amplifier Systems
0.5-6GHz, Gain: 43dB, Psat: 43dBm, 220V AC**

Feature:

- Ultra Wide Band: 0.5-6GHz
- Gain: 43dB Min
- Psat Output Power: 43dBm Typ
- 50 Ohm Matched Input / Output



电气特性 Electrical:

参数Parameter	代码Symbol	Min.	Typ.	Max.	单位Units
频率范围 Frequency range	BW	0.5-6			GHz
增益 Power Gain	Gp	43	47		dB
增益平坦度 Gain flatness	Δ GL		± 3.0	± 5.0	dB
线性输出功率 P1dB	P-1	40	41		dBm
饱和输出功率 Psat	Psat	42	43		dBm
杂散 Non-Harmonic Spurious	Spur			-60	dBc
谐波 Harmonics	HAM			-10	dBc
增益可调范围 Gain adjustable range	dB		30		dB
输入驻波 Input VSWR	VSWRin		1.5	2.0	:1
交流电压 AC Voltage	Vac	110	220		V AC
交流电流 AC Supply Current		1.5A@220V AC			A
阻抗 Impedance	I/O-IMP	50			Ohms

机械特性 Mechanical :

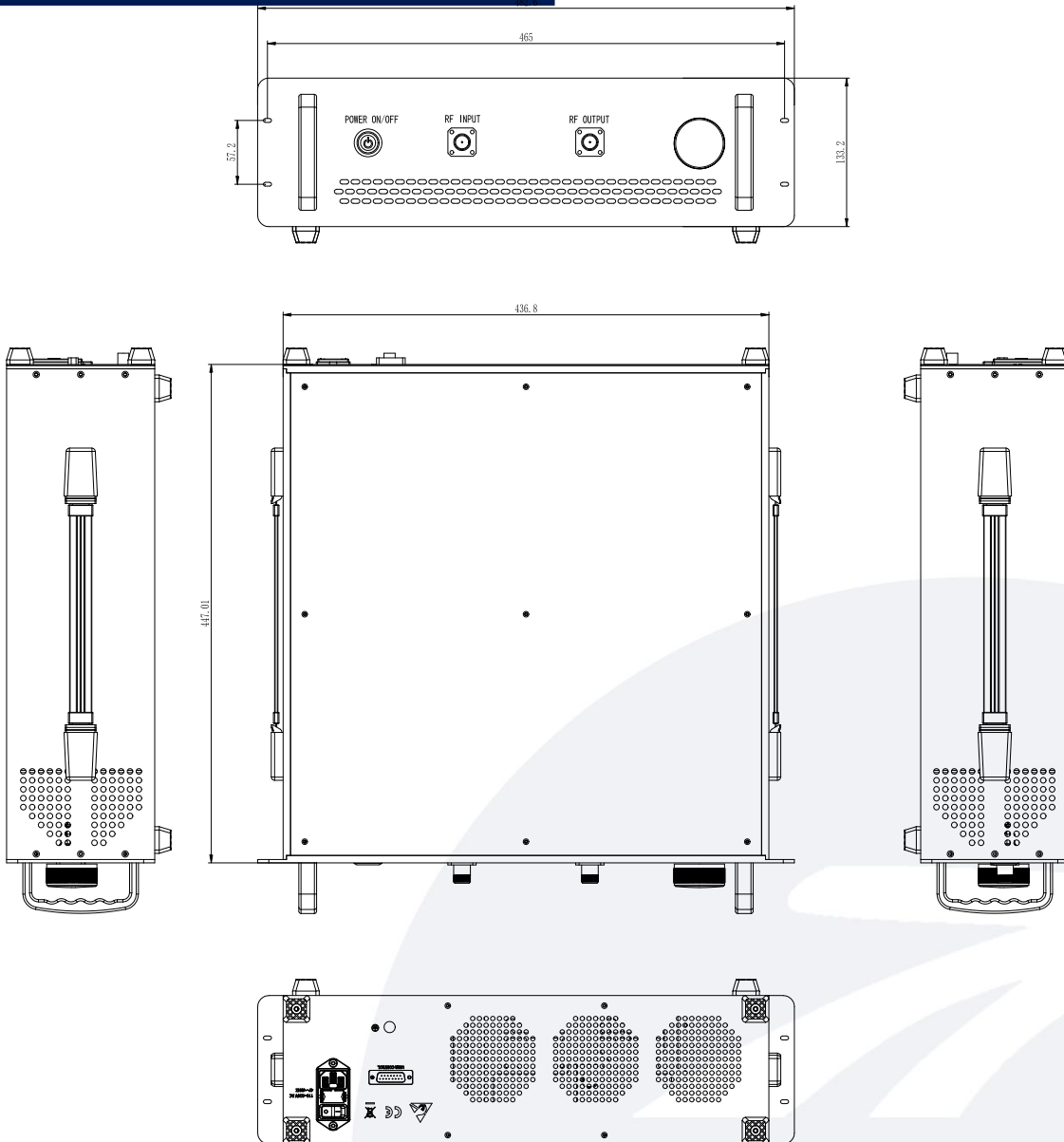
参数Parameter	指标 Value	单位Units
输入接口 Input Connector	N Female	
输出接口 Output Connector	N Female	
尺寸 Size	19 Inch 3U*500mm	
重量 Weight	27	Kg

绝对最大值 Absolute Maximum Ratings:

参数Parameter	指标 Value
输入功率 RF INPUT POWER	5 dBm
ESD灵敏度 ESD sensitivity (HBm)	Class 0, passed 150V

外形尺寸 Outline Drawing:

Unit: mm




OBSERVE PRECAUTIONS
ELECTROSTATIC SENSITIVE
DEVICES

温度环境 Environmental Conditions:

参数Parameter	Min.	Typ.	Max.	单位Units
操作温度 Operating Temperature	-45		+50	°C
存储温度 Non-operating Temperature	-55		+125	°C
相对湿度 Relative humidity		95		%
海拔 Altitude	30,000			feet
震动 Shock / Vibration(MIL-STD-810F)	25g rms (15 degree 2KHz) endurance, 1 hour per axis			
冲击 Shock(non operating)	20G for 11msc half sin wave,3 axis both directions			

订货信息 Ordering Information:

标准型号 Part Number	描述 Description	版本号Revision
TLPA0.5G6G-43-43-GA30-BC	Solid State High Power Amplifier Systems, 0.5-6GHz,Gain:43dB,Psat:43dBm,220V AC	Rev.1.0