

## IQ Mixer

RF/LO: 2-4.5GHz/IF: DC-1.5GHz

Model: TLIQ-2G4.5G-1.5-S

TLIQ-2G4.5G-1.5-S is an ultra-broadband mixer spanning 2 to 4.5 GHz on the RF and LO ports with an IF from DC to 1.5GHz. Up to 20dBc of image rejection is available due to the excellent phase and amplitude balance of its on-chip LO quadrature hybrid.

### Features:

- RF/LO coverage: 2-4.5GHz
- IF operation: DC-1.5GHz
- Conversion loss: 10dB Typ
- LO power: 16dBm Typ
- Image Rejection : 20dBc Typ

### Applications:

- Single Sideband and Image Rejection Mixing
- IQ Modulation / Demodulation
- Vector Amplitude Modulation
- Band Shifting

### 电气特性 Electrical Characteristics:

参数 Parameter	Min	Typ	Max	单位 Units
RF频率 RF Frequency	2		4.5	GHz
LO频率 LO Frequency	2		4.5	GHz
LO 驱动功率 LO-Input power	15	16	20	dBm
IF频率 IF Frequency	DC		1.5	GHz
镜像抑制 Image Rejection @RF/LO:2-4.5GHz,I+Q:0.5GHz		20		dBc
变频损耗 Conversion Loss @RF/LO:2-4.5GHz,I/Q:0.5GHz		10		dB
输入P1dB压缩点 Input 1 dB Gain Compression Point		11		dBm
LO to IF 隔离 LO to IF Isolation		15		dB
LO to RF 隔离 LO to RF Isolation		30		dB
RF to IF 隔离 RF to IF Isolation		30		dB

## 机械特性 Mechanical Specifications:

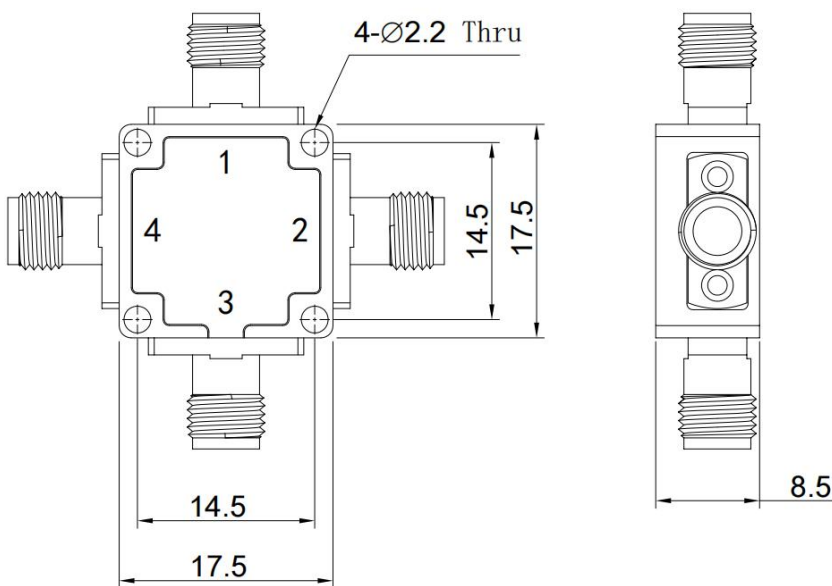
参数 Parameter	指标 Value	单位 Units
RF接口 RF Connector	SMA Female	
LO接口 LO Connector	SMA Female	
IF接口 IF Connector	SMA Female	
尺寸 Size	17.5*17.5*8.5(Without Connector)	mm

## 绝对最大值 Absolute Maximum Ratings:

参数 Parameter	指标 Value
所有接口输入功率 Power Handling, at any Port	+20 dBm
ESD灵敏度 ESD sensitivity (HBm)	Class 0, passed 150V

## 外形图 Outline Drawing:

Unit:mm; Tolerance:±0.1mm



端口 Port	指标 Value
1	IF1
2	LO
3	IF2
4	RF



ESD Protection: Strictly adhere to ESD precautions to prevent electrostatic damage.

### 温度环境 Environmental Conditions:

参数 Parameter	Min	Typ	Max	单位 Units
操作温度 Operating Temperature	-45		+85	°C
存储温度 Non-operating Temperature	-55		+125	°C
相对湿度 Relative humidity		95		%
海拔 Altitude	10,000			feet
震动 Shock / Vibration(MIL-STD-810F)	25g rms (15 degree 2KHz) endurance, 1 hour per axis			
冲击 Shock(non operating)	20G for 11msc half sin wave,3 axis both directions			

### 订货信息 Ordering Information:

标准型号 Base Number	描述 Description	版本号 Revision
TLIQ-2G4.5G-1.5-S	Image Rejection or I/Q Mixer RF:2-4.5GHz,LO:2-4.5GHz,IF:DC-1.5GHz	Rev.1.0