

Absorptive, Broadband PIN Switch 18-67GHz/SPDT/1.85mm Female

Model: TLSPDT18G67GA

The TLSPDT18G67GA is an absorptive PIN diode based switch with a TTL driver that operates between 18 and 67 GHz. The SPDT switch offers 45 dB port-to-port isolation with a typical switching speed of 50 nanoseconds. The input and output connectors of the switch are 1.85mm female.

Features:

- Frequency range: 18-67GHz
- Insertion Loss: 5.5dB
- Power Handling: 25dBm
- High Isolation
- Switch Type: Absorptive

Applications:

- Communication Systems
- Automatic Test Equipment
- Switching Network

电气特性 Electrical Characteristics:

参数 Parameter	Min	Typ	Max	单位 Units
频率范围 Frequency range	18		67	GHz
插损 Insertion Loss		5.5		dB
隔离 Isolation	45			dB
切换速度 Switch Speed		50	100	ns
输入驻波 Input VSWR		2		:1
输出驻波 Output VSWR		2		:1
耐功率 Power Handling			25	dBm
输入P1dB Input P1dB		20		dBm
直流电压 DC Supply Voltage		+5/-5		V DC
直流电流 DC Supply Current		50		mA
开关类型 Switch type	Absorptive			
阻抗 Impedance	50			Ohms

绝对最大值 Absolute Maximum Ratings :

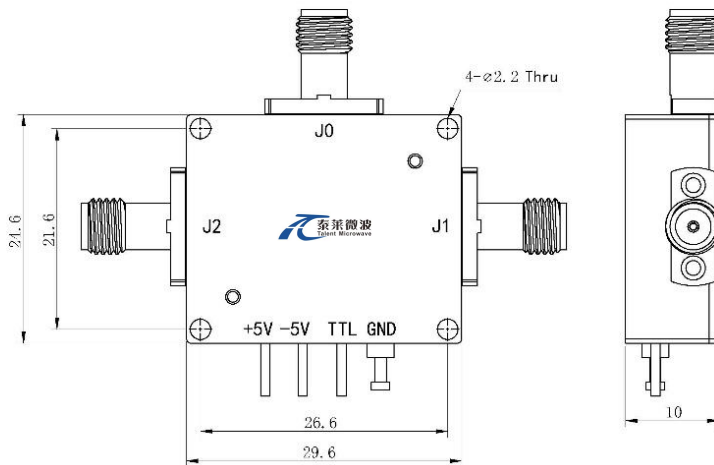
描述 Description	参数 Parameter	单位 Units
供电偏置电压 Supply Bias Voltage	±5%	V
射频输入功率 RF Input Power	25	dBm
ESD灵敏度 ESD sensitivity (HBm)	Class 0, passed 150V	

机械特性 Mechanical Specifications:

描述 Description	参数 Parameter	单位 Units
输入/输出接口 Input /Output Connector	1.85mm Female/1.85mm Female	
直流控制接口 Control Bias Connector	Solder Pin	
尺寸 Size	29.6*24.6*10	mm

外形图 Outline Drawing:

Unit:mm



真值表 Truth Table

TTL Control Input	Signal Path State
0	J0-J1
1	J0-J2

TTL Control Voltages &VDD

Stage	Bias Condition
VDD	+5V (±5%)
VEE	-5V (±5%)
Low (0)	0 to 0.8Vdc
High (1)	+3.3 to +5.0Vdc

1. Dimensions are in mm [inches]

2. Tolerances: Outline drawing ±0.2 [0.008] Hole ±0.2 [0.008]

NOTE: ALL SPECIFICATIONS ARE SUBJECT TO CHANGE WITHOUT NOTICE AT ANY TIME



ESD Protection: Strictly adhere to ESD precautions to prevent electrostatic damage.

温度环境 Environmental Conditions:

参数 Parameter	Min	Typ	Max	单位 Units
操作温度 Operating Temperature	-45		+85	°C
存储温度 Non-operating Temperature	-55		+125	°C
相对湿度 Relative humidity		95		%
海拔 Altitude	10,000			feet
震动 Shock / Vibration(MIL-STD-810F)	25g rms (15 degree 2KHz) endurance, 1 hour per axis			
冲击 Shock(non operating)	20G for 11msc half sin wave,3 axis both directions			

订货信息 Ordering Information:

标准型号 Base Number	描述 Description	版本号 Revision
TLSPDT18G67GA	Absorptive,Broadband PIN Switch 18-67GHz,SPDT,1.85mm	Rev.1.0