

## Waveguide to Coax Adapter, End Launch

WR22/2.4mm Female/33-50GHz

Model: TL-22WCA2.4E-CU

### Features:

- Operating Frequency 33 to 50GHz
- Lower Insertion Loss and VSWR
- Instrumentation Grade
- DC Short Circuit

### Applications:

- Test Lab
- Instrumentations
- Sub-assemblies

### 电气特性 Electrical Characteristics:

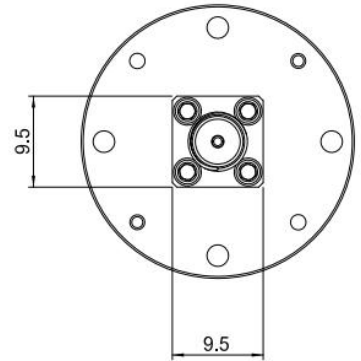
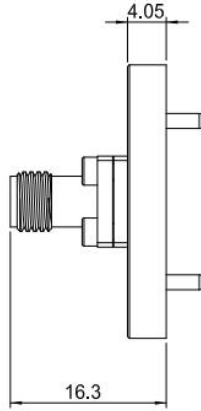
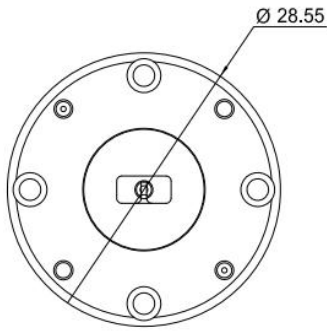
参数 Parameter	Min	Typ	Max	单位 Units
频率范围 Frequency Range	33		50	GHz
驻波 VSWR		1.3		:1
插损 Insertion Loss		0.5		dB

### 环境和机械特性 Environmental And Physical Characteristics:

类型 Description	参数 Parameter	单位 Units
材质 Material	Copper	
表面处理 Finish	Gold Plated	
同轴接口 Coax Connector	2.4mm Female	
波导 Waveguide	WR22/UG-383/U-M	
尺寸 Size	ø28.55*16.3	mm

外形图 Outline Drawing:

Unit:mm



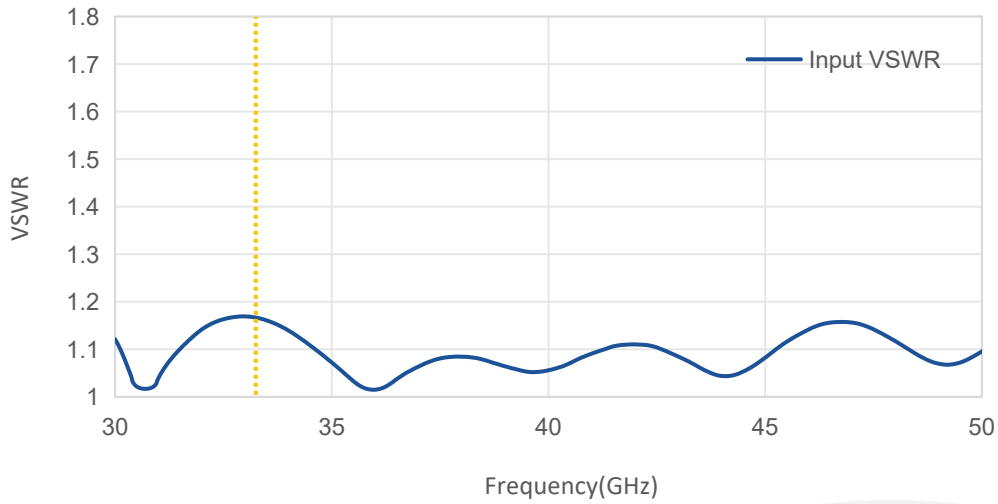
ESD Protection: Strictly adhere to ESD precautions to prevent electrostatic damage.

订货信息 Ordering Information:

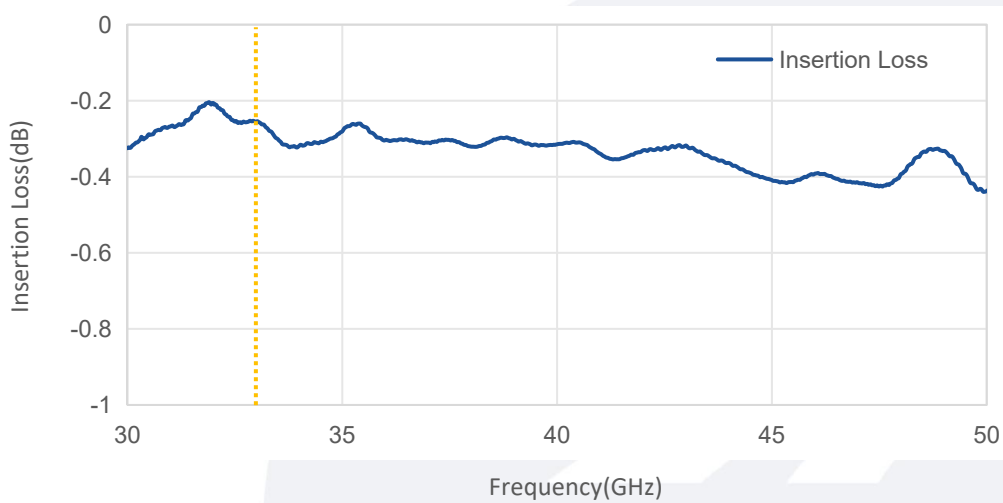
标准型号 Base Number	描述 Description	版本号 Revision
TL-22WCA2.4E-CU	Waveguide to Coax Adapter, End Launch WR22/2.4mm Female,33-50GHz	Rev.1.2

## 典型曲线 Typical Performance Data:

### VSWR vs Frequency



### Insertion Loss vs Frequency



Note: Above data is for ref only, actual data may vary from unit to unit depending on operating environment and other factors like material lots etc.