

Dual Polarized Horn Antenna

2.92mm Female/18-40GHz/20 dBi Min, Gain

Model:TL-180400DPHA20K

TL-180400DPHA20K is a dual polarized horn antenna that operates from 18 to 40GHz, The antenna offers 20 dBi minimum gain. The antenna VSWR is 2.5:1 maximum. The antenna cross polarization isolation is minimum 20 dB. The antenna RF ports is 2.92mm female. It can be widely used in EMI detection, orientation, reconnaissance, antenna gain and pattern measurement and other application fields.

Features:

- Operating Frequency 18 to 40 GHz
- Gain: 20 dBi Min
- Dual Linear Polarization

Applications:

- Radar Systems
- Communication Systems

电气特性 Electrical Characteristics:

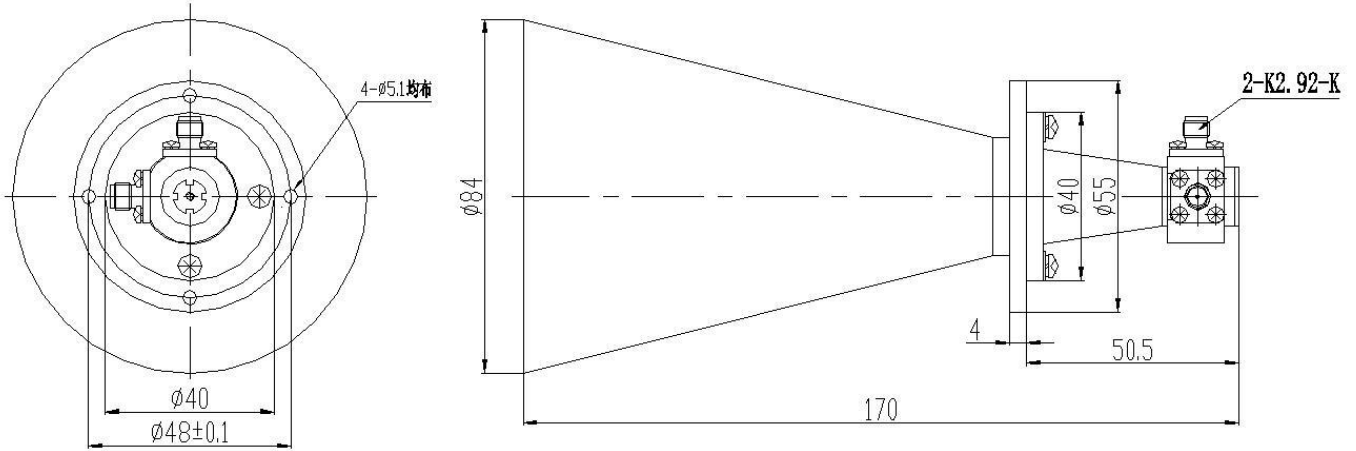
参数 Parameter	Min	Typ	Max	单位 Units
频率范围 Frequency Range	18		40	GHz
增益 Gain	20			dBi
极化方式 Polarization mode	Dual Linear			
驻波 Input VSWR			2.5	:1
端口隔离度 Port Isolation	25			dB
交叉极化隔离度 Cross Polarization Isolation	20			dB

机械特性 Physical Characteristics:

类型 Description	参数 Parameter	单位 Units
材质 Material	Al	
表面处理 Finish	True color conductive oxidation	
接口 Connectors	2.92mm Female	
尺寸 Size	ø84*140	mm
重量 Weight	≤0.2	Kg

外形图 Outline Drawing:

Unit:mm



ESD Protection: Strictly adhere to ESD precautions to prevent electrostatic damage.

订货信息 Ordering Information:

标准型号 Base Number	描述 Description	版本号 Revision
TL-180400DPHA20K	Dual Polarized Horn Antenna, 18-40GHz, Gain: 20dBi Min, 2.92mm Female	Rev.1.1