

Dual Polarized Horn Antenna

2.92mm Female/12-40GHz/10 dBi Min, Gain

Model:TL-120400DPHA10K

TL-120400DPHA10K is a dual polarized horn antenna that operates from 12 to 40GHz, The antenna offers 10 dBi minimum gain. The antenna VSWR is 3:1 maximum. The antenna RF ports is 2.92mm female. It can be widely used in EMI detection, orientation, reconnaissance, antenna gain and pattern measurement and other application fields.

Features:

- Operating Frequency 12 to 40 GHz
- Gain: 10 dBi Min
- Dual Linear Polarization

Applications:

- Radar Systems
- Communication Systems

电气特性 Electrical Characteristics:

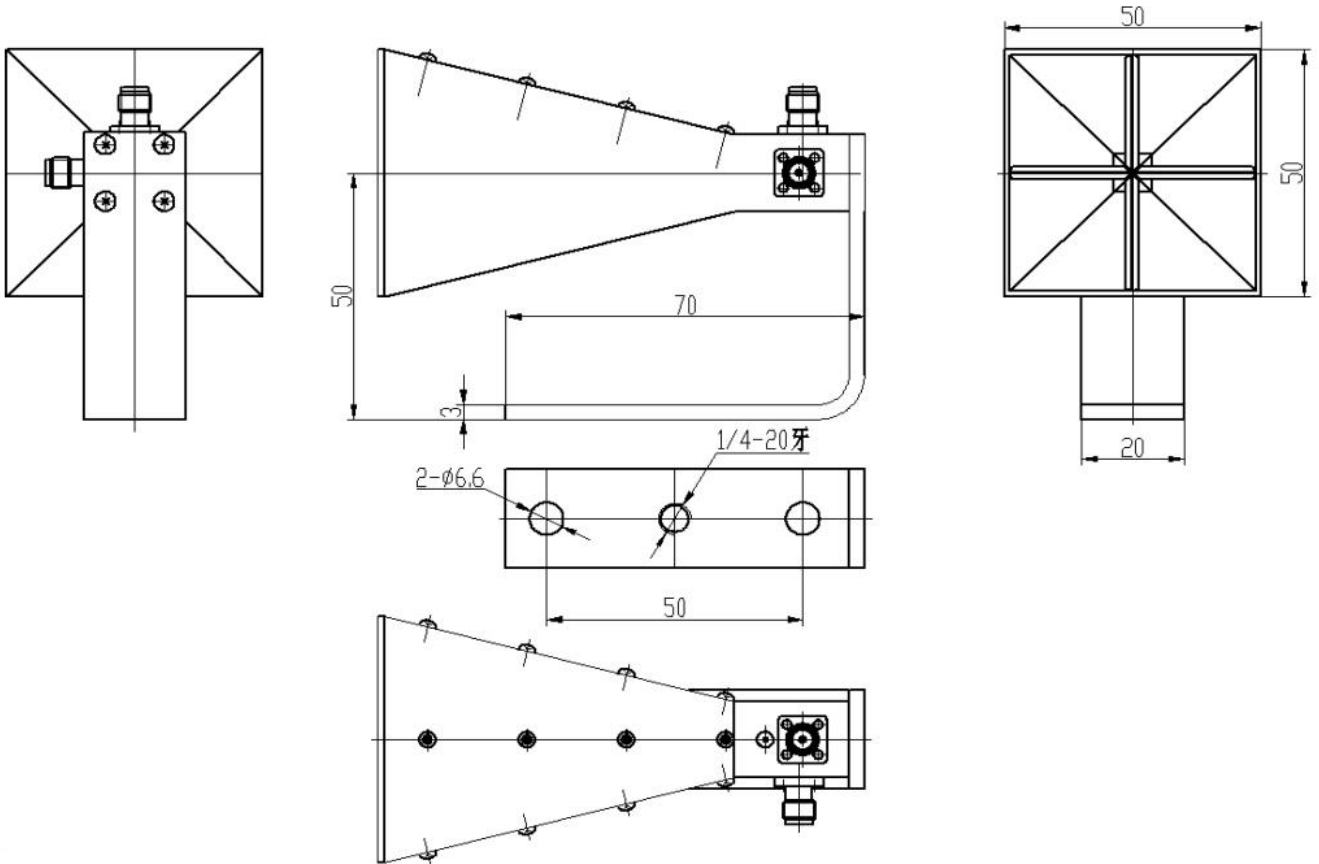
参数 Parameter	Min	Typ	Max	单位 Units
频率范围 Frequency Range	12		40	GHz
增益 Gain	10			dBi
极化方式 Polarization mode	Dual Linear			
驻波 Input VSWR			3	:1

机械特性 Physical Characteristics:

类型 Description	参数 Parameter	单位 Units
材质 Material	Aluminum	
表面处理 Finish	Conductive oxidation,Spray sea gray paint	
接口 Connectors	2.92mm Female	

外形图 Outline Drawing:

Unit:mm



ESD Protection: Strictly adhere to ESD precautions to prevent electrostatic damage.

订货信息 Ordering Information:

标准型号 Base Number	描述 Description	版本号 Revision
TL-120400DPHA10K	Dual Polarized Horn Antenna, 12-40GHz, Gain: 10dBi Min, 2.92mm Female	Rev.1.1