

Dual Polarized Horn Antenna

SMA Female/12-18GHz/15dBi Typ, Gain

Model:TL-120180DPHA15S

TL-120180DPHA15S is a dual polarized horn antenna that operates from 12 to 18GHz, The antenna offers 15 dBi typical gain. The antenna VSWR is 1.7:1 maximum. The antenna cross polarization isolation is minimum 25 dB. The antenna RF ports is SMA female. It can be widely used in EMI detection, orientation, reconnaissance, antenna gain and pattern measurement and other application fields.

Features:

- Operating Frequency 12 to 18 GHz
- Gain: 15 dBi Typ
- Dual Linear Polarization

Applications:

- Radar Systems
- Communication Systems

电气特性 Electrical Characteristics:

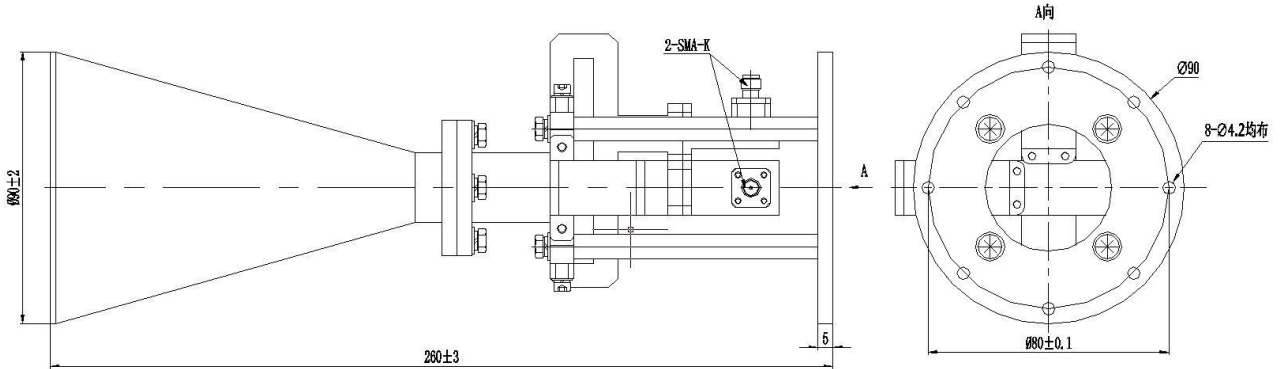
参数 Parameter	Min	Typ	Max	单位 Units
频率范围 Frequency Range	12		18	GHz
增益 Gain		15		dBi
极化方式 Polarization mode	Dual Linear			
驻波 Input VSWR			1.7	:1
波束宽度 Antenna Beamwidth			20	°
交叉极化隔离 Cross Polarization Isolation	25			dB

机械特性 Physical Characteristics:

类型 Description	参数 Parameter	单位 Units
材质 Material	Aluminum	
表面处理 Finish	Conductive oxidation; spray sea gray paint	
接口 Connectors	SMA Female	
尺寸 Size	ø90*260	mm

外形图 Outline Drawing:

Unit:mm



ESD Protection: Strictly adhere to ESD precautions to prevent electrostatic damage.

订货信息 Ordering Information:

标准型号 Base Number	描述 Description	版本号 Revision
TL-120180DPHA15S	Dual Polarized Horn Antenna, 12-18GHz, Gain: 15 dBi Typ, SMA Female	Rev.1.1