

Dual Ridged Horn Antenna

SMA Female/2-8GHz/9.5 dBi Min, Gain

Model:TL-2080DRHA9.5S

Features:

- Operating Frequency 2 to 8 GHz
- Gain: 9.5 dBi Min
- Linear Polarization

Applications:

- Radar Systems
- Communication Systems

电气特性 Electrical Characteristics:

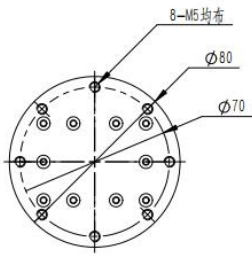
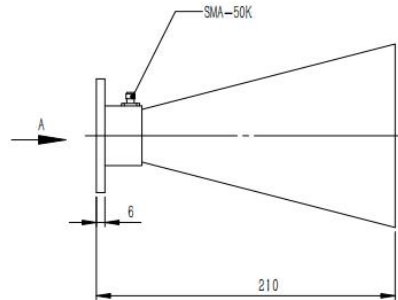
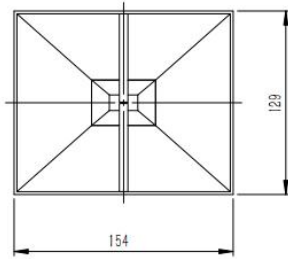
参数 Parameter	Min	Typ	Max	单位 Units
频率范围 Frequency Range	2		8	GHz
增益 Gain	9.5		14.5	dBi
驻波 Input VSWR			2.5	:1

机械特性 Physical Characteristics:

类型 Description	参数 Parameter	单位 Units
接口 Connectors	SMA Female	
长度 Length	210	mm

外形图 Outline Drawing:

Unit:mm



ESD Protection: Strictly adhere to ESD precautions to prevent electrostatic damage.

订货信息 Ordering Information:

标准型号 Base Number	描述 Description	版本号 Revision
TL-2080DRHA9.5S	Dual Ridged Horn Antenna, 2-8GHz,Gain: 9.5 dBi Min,SMA Female	Rev.1.0