

## Dual Ridged Horn Antenna

### SMA Female/1-8GHz/3~12dB, Gain

Model:TL-1080DRHA7S

#### Features:

- Operating Frequency 1 to 8 GHz
- Gain: 3~12dBi Min
- Linear Polarization

#### Applications:

- Radar Systems
- Communication Systems

### 电气特性 Electrical Characteristics:

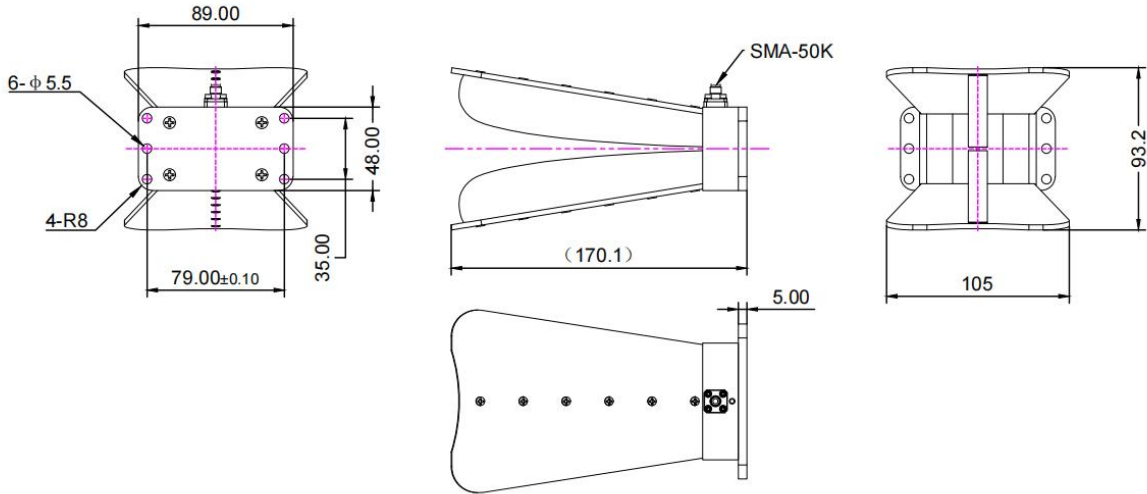
| 参数 Parameter                         | Min | Typ | Max | 单位 Units |
|--------------------------------------|-----|-----|-----|----------|
| 频率范围 Frequency Range                 | 1   |     | 8   | GHz      |
| 增益 Gain                              | 3   |     | 12  | dBi      |
| 驻波 Input VSWR                        |     |     | 2.5 | :1       |
| 交叉极化隔离度 Cross polarization isolation | 20  |     |     | dB       |

### 机械特性 Physical Characteristics:

| 类型 Description | 参数 Parameter     | 单位 Units |
|----------------|------------------|----------|
| 材质 Material    | Aluminium        |          |
| 表面处理 Finish    | Anodic oxidation |          |
| 接口 Connectors  | SMA Female       |          |
| 尺寸 Size        | 170.1*105*93.2   | mm       |

外形图 Outline Drawing:

Unit:mm



ESD Protection: Strictly adhere to ESD precautions to prevent electrostatic damage.

订货信息 Ordering Information:

| 标准型号 Base Number | 描述 Description   | 版本号 Revision |
|------------------|--|--------------|
| TL-1080DRHA7S    | Dual Ridged Horn Antenna,<br>1-8GHz, Gain: 3~12dBi Min, SMA Female | Rev.1.0      |