

Dual Ridged Horn Antenna

1-6GHz/6dBi Min, Gain

Model:TL-1060DRHA9K

Features:

- Operating Frequency 1 to 6GHz
- Gain: 6dBi Min
- Linear Polarization

Applications:

- Radar Systems
- Communication Systems

电气特性 Electrical Characteristics:

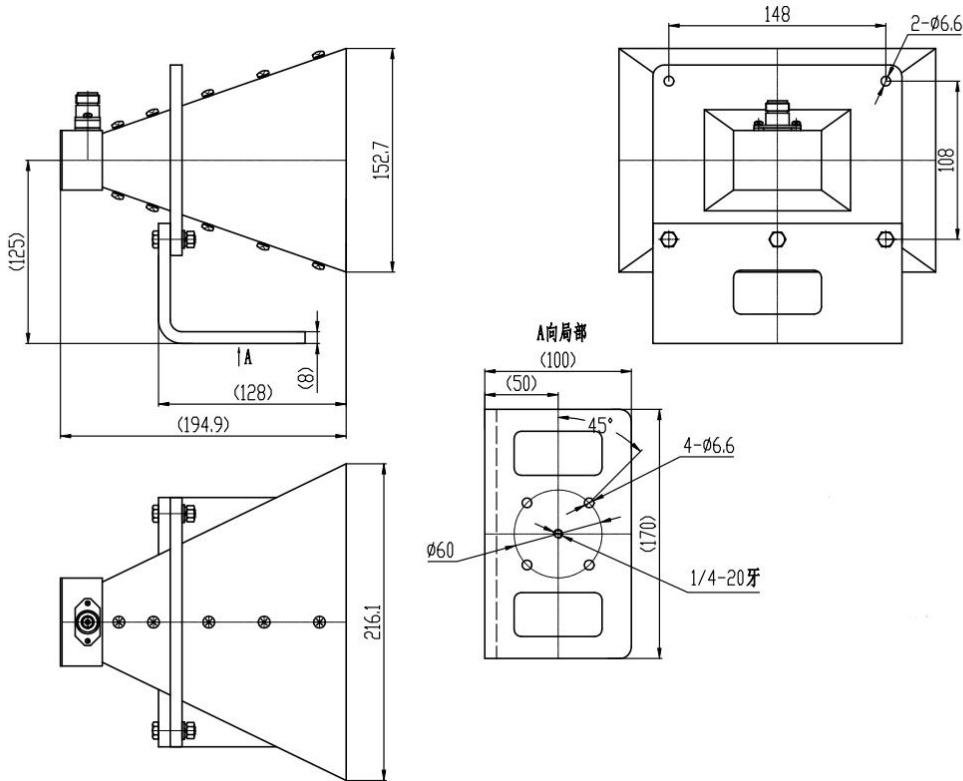

参数 Parameter	Min	Typ	Max	单位 Units
频率范围 Frequency Range	1		6	GHz
增益 Gain	6			dBi
驻波 Input VSWR			2	:1
耐受功率 Power Handling		Average: 200		W

机械特性 Physical Characteristics:

类型 Description	参数 Parameter	单位 Units
材质 Material	Aluminium	
表面处理 Finish	Conductive oxidation,Spray paint	
接口 Connectors	TBD	
尺寸 Size	194.9*152.7*216.1	mm

外形图 Outline Drawing:

Unit:mm

ESD Protection: Strictly adhere to ESD precautions to prevent electrostatic damage.

订货信息 Ordering Information:

标准型号 Base Number	描述 Description	版本号 Revision
TL-1060DRHA9K	Dual Ridged Horn Antenna, 1-6GHz, Gain: 6dBi Min	Rev.1.0