

Dual Ridged Horn Antenna

N Female/0.6-6GHz/14dBi@1.8GHz, Gain

Model:TL-0660DRHA14N

Features:

- Operating Frequency 0.6 to 6 GHz
- Gain: 14dBi@1.8GHz
- Linear Polarization

Applications:

- Radar Systems
- Communication Systems

电气特性 Electrical Characteristics:

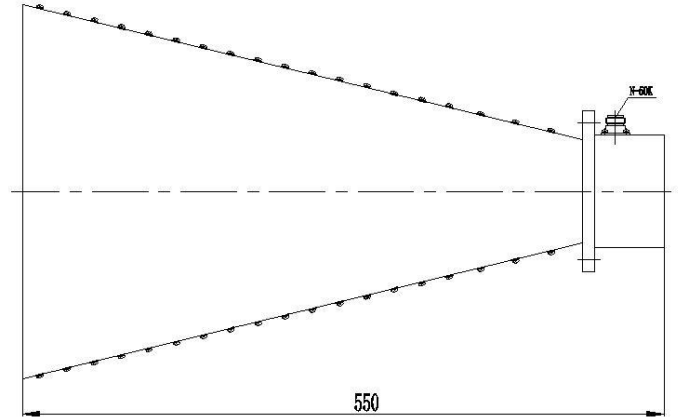
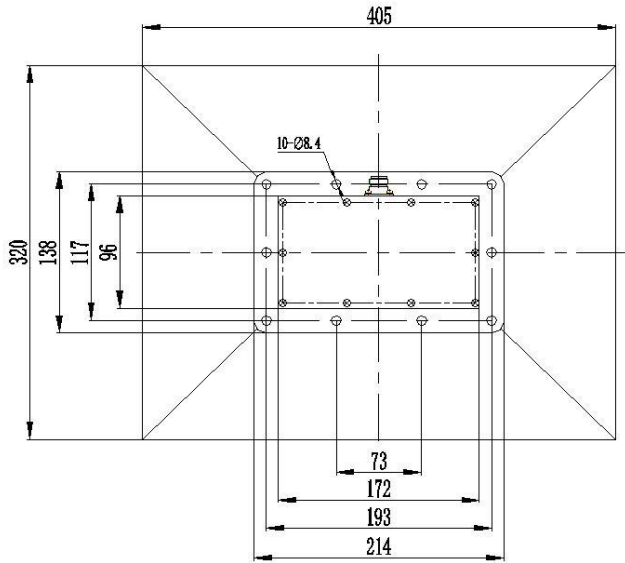
参数 Parameter	Min	Typ	Max	单位 Units
频率范围 Frequency Range	0.6		6	GHz
增益 Gain@1.8GHz		14		dBi
驻波 Input VSWR			2.5	:1

机械特性 Physical Characteristics:

类型 Description	参数 Parameter	单位 Units
材质 Material	Aluminium	
表面处理 Finish	Conductive oxidation,Spray sea gray paint	
接口 Connectors	N Female	
尺寸 Size	405*320*550	mm

外形图 Outline Drawing:

Unit:mm



ESD Protection: Strictly adhere to ESD precautions to prevent electrostatic damage.

订货信息 Ordering Information:

标准型号 Base Number	描述 Description	版本号 Revision
TL-0660DRHA14N	Dual Ridged Horn Antenna, 0.6-6GHz, Gain: 14dBi Min, N Female	Rev.1.0