

Standard Gain Horn Antenna

WR-4.3/170-260GHz/29dBi Typ, Gain

Model:TL-4SHA29

TL-4SHA29 is a standard gain horn antenna that operates from 170 GHz to 260GHz. The antenna offers 29 dBi nominal gain. The input of this antenna is a WR-4.3 waveguide with UG-387/U-M anti-cocking flange. The standard gain horn is offered for antenna range calibration purpose mainly, but it can be also used for general purpose system set ups.

Features:

- Operating Frequency 170 to 260 GHz
- Linear Polarization
- Good Impedance Match

Applications:

- Antenna Ranges
- Antenna Gain Measurements
- System Setups

电气特性 Electrical Characteristics:

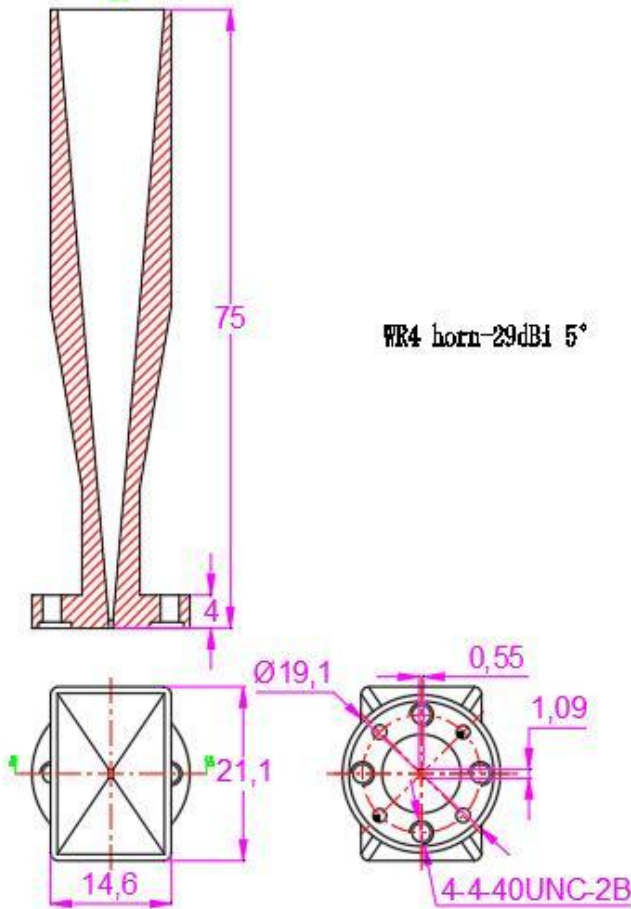
参数 Parameter	Min	Typ	Max	单位 Units
频率范围 Frequency Range	170		260	GHz
增益 Gain		29		dBi
驻波 Input VSWR			1.15	:1
3dB波束宽度 3dB beamwidth		5		°

环境和机械特性 Environmental And Physical Characteristics:

类型 Description	参数 Parameter	单位 Units
材质 Material	Copper	
表面处理 Finish	Gold plated	
接口 Connectors	WR-4.3/UG-387/U	
尺寸 Size	14.6*21.1*75	mm
重量 Weight	0.05	Kg

外形图 Outline Drawing:

Unit:mm



ESD Protection: Strictly adhere to ESD precautions to prevent electrostatic damage.

订货信息 Ordering Information:

标准型号 Base Number	描述 Description	版本号 Revision
TL-4SHA29	Standard Gain Horn Antenna, 170-260GHz, Gain: 29dBi Typ.	Rev.1.0