

Standard Gain Horn Antenna

WR-4.3/170-260GHz/20dBi Typ, Gain

Model: TL-4SHA20

TL-4SHA20 is a standard gain horn antenna that operates from 170 GHz to 260 GHz. The antenna offers 20 dBi nominal gain. The input of this antenna is a WR-4.3 waveguide with UG-387/U-M anti-cocking flange. The standard gain horn is offered for antenna range calibration purpose mainly, but it can be also used for general purpose system set ups.

Features:

- Operating Frequency 170 to 260 GHz
- Gain: 20dBi Typ
- Linear Polarization
- Good Impedance Match

Applications:

- Antenna Ranges
- Antenna Gain Measurements
- System Setups

电气特性 Electrical Characteristics:

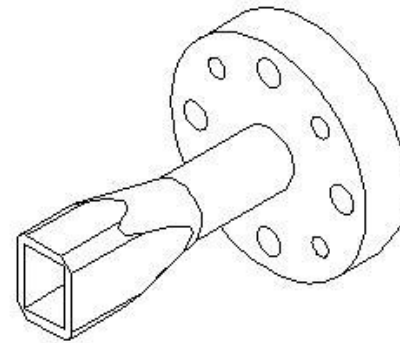
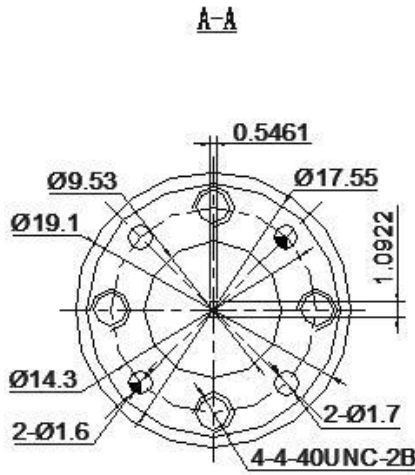
参数 Parameter	Min	Typ	Max	单位 Units
频率范围 Frequency Range	170		260	GHz
增益 Gain		20		dBi
极化方式 Polarization mode	Linear			
驻波 Input VSWR			1.15	:1
输出形式 Output mode	APF			
3dB波束宽度 3dB Antenna Beamwidth		10		°

环境和机械特性 Environmental And Physical Characteristics:

类型 Description	参数 Parameter	单位 Units
材质 Material	Brass	
接口 Connectors	WR-4.3/UG-387/U	
尺寸 Size	∅19.1*24.6	mm
重量 Weight	20	g

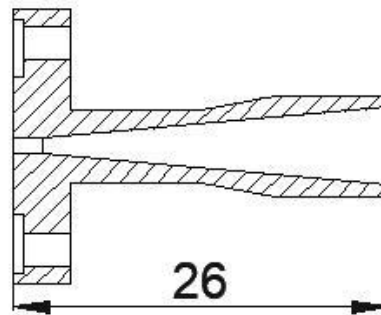
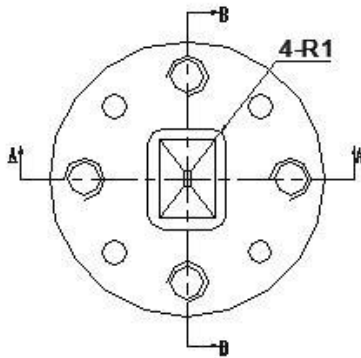
外形图 Outline Drawing:

Unit:mm



horn-20 WR4,

B-B 增益20dB



ESD Protection: Strictly adhere to ESD precautions to prevent electrostatic damage.

订货信息 Ordering Information:

标准型号 Base Number	描述 Description	版本号 Revision
TL-4SHA20	Standard Gain Horn Antenna, 170-260GHz, Gain: 20dBi Typ.	Rev.1.0