

Coaxial Termination

DC-18GHz/SMA Male/2W

Model:TT2-18-SMA-E

The TT2-18-SMA-E is a well-matched, 50Ω male termination enabling operation from DC to 18 GHz. This termination features a 2W power rating and 1.3:1 max VSWR.

Features:

- Operating Frequency DC to 18 GHz
- High Return Loss
- Instrumentation Grade

Applications:

- laboratory test
- Communication equipment

电气特性 Electrical Characteristics:

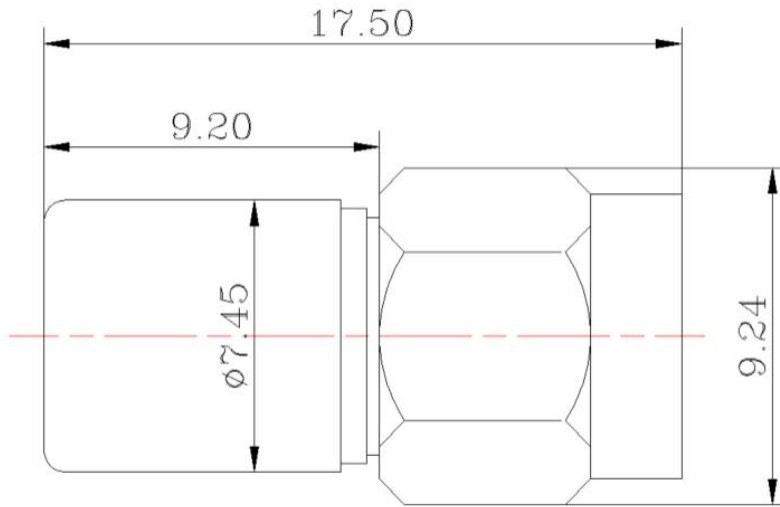
参数 Parameter	Min	Typ	Max	单位 Units
频率范围 Frequency Range	DC		18	GHz
驻波 VSWR			1.3	:1
耐功率 Power Handling		2		W
阻抗 Impedance		50		Ohms

环境和机械特性 Environmental And Physical Characteristics:

类型 Description	参数 Parameter	单位 Units
操作温度 Operating Temperature	-55 To +125	°C
存储温度 Storage Temperature	-55 To +125	°C
连接器材质 Connector Material	Stainless steel	
内导体 Inner Conductor	Gold plated brass	
接口 Connectors	SMA Male	
尺寸 Size	ø9.24*17.5	mm

外形图 Outline Drawing:

Unit:mm



订货信息 Ordering Information:

标准型号 Base Number	描述 Description
TT2-18-SMA-E	DC-18GHz,2W,SMA Male Coaxial Termination