

## Y-band Amplitude Detector

### 210-230GHz /-20 dBm, Input Power

Model: TPSD-210230-04

TPSD-210230-04 is a WR-4.3 amplitude detector that can be used for narrow band applications. The detector is zero biased and intended for small signal detection purposes. The detector exhibits high sensitivity characteristics across the frequency of 210 to 230GHz.

#### Features:

- Frequency range:210-230GHz
- High Sensitivity

#### Applications:

- Test Instrumentations

### 电气特性 Electrical Characteristics:

参数 Parameter	Min	Typ	Max	单位 Units
频率范围 Frequency range	210		230	GHz
电压灵敏度 Voltage Sensitivity		3000		mV/mW
RF输入功率 RF Input Power	-50		-20	dBm
输入驻波 Input VSWR		2.5		:1
输出电压极性 Output Voltage Polarity		Positive		

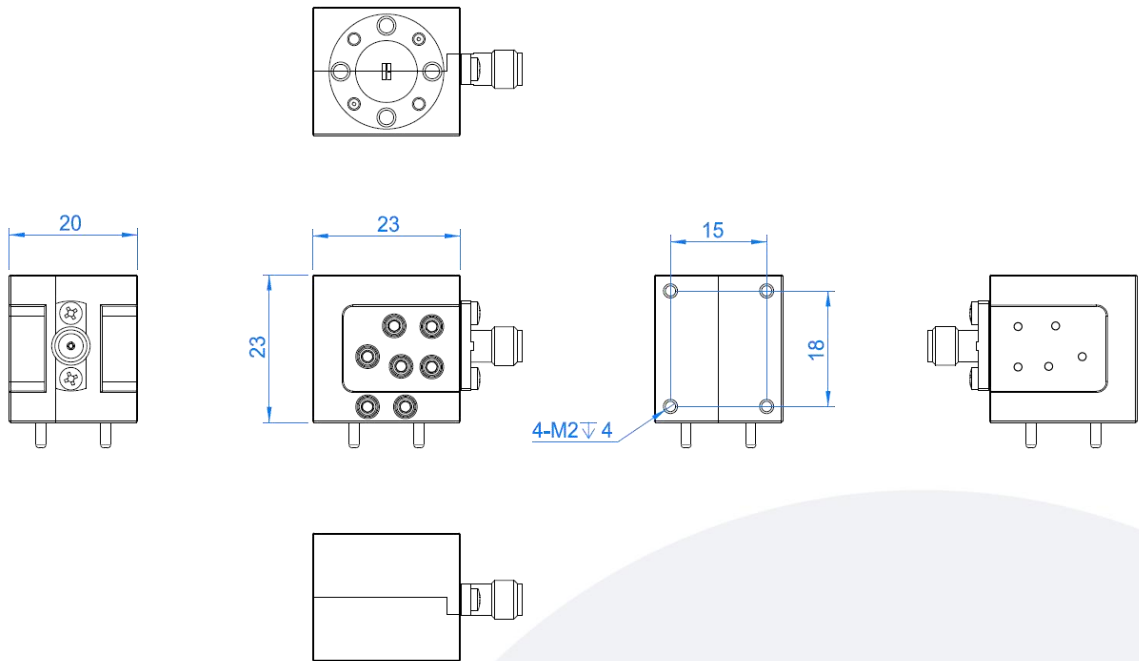
### 环境和机械特性 Environmental And Physical Characteristics:

参数 Parameter	指标 Value	单位 Units
操作温度 Operating Temperature	0 To +50	°C
RF端口 RF Port	WR-4.3/UG-387/U	
DC端口 DC Port	SMA Female	
表面处理 Finish	Gold Plated	

### 绝对最大值 Absolute Maximum Ratings:

参数 Parameter	指标 Value
输入功率 RF Input Power	+10 dBm

外形图 Outline Drawing: Unit:Inch(mm)



ESD Protection: Strictly adhere to ESD precautions to prevent electrostatic damage.

订货信息 Ordering Information:

标准型号 Base Number	描述 Description	版本号 Revision
TPSD-210230-04	Y-band Amplitude Detector, 210-230GHz, Voltage sensitivity :3000 mV/mW Typ.	Rev.1.1