

**Part No.: RS4W180500-2.4**

**Power Divider/Combiner 4 Way 2.4 50Ω 18 to 50 GHz**

**电气特性 Electrical:**

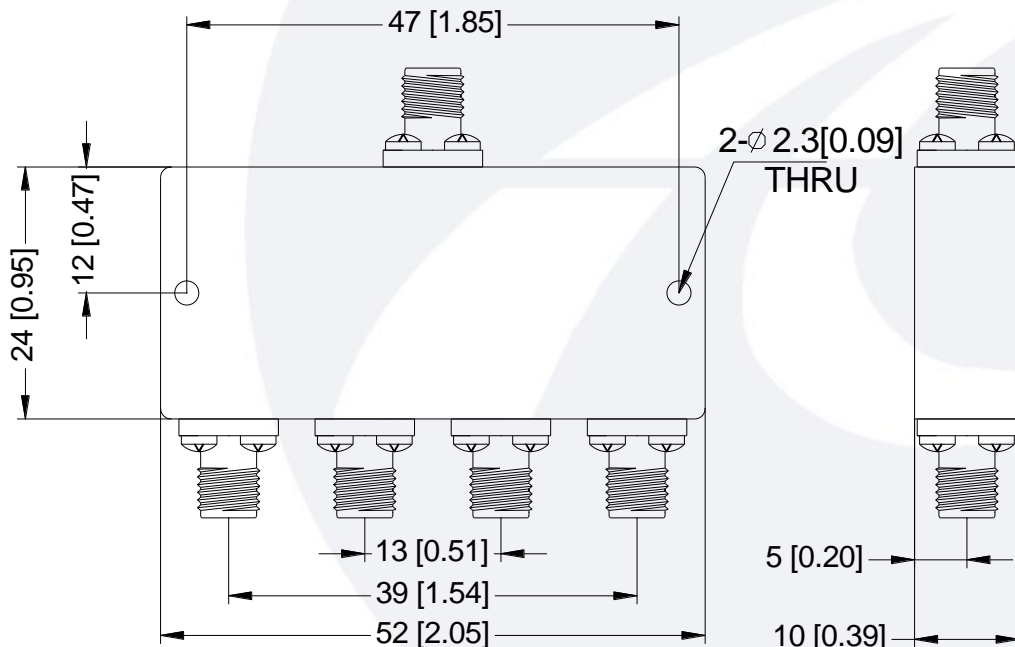
工作频率 Frequency Range: 18-50 GHz  
 插入损耗 Insertion Loss:  $\leq 2.2\text{dB}$   
 驻波 VSWR:  $\leq 1.8/1.6 : 1$   
 隔离 Isolation:  $\geq 15\text{dB}$   
 幅度平衡 Amplitude Balance:  $\leq \pm 0.6\text{dB}$   
 相位平衡 Phase Balance:  $\leq \pm 9^\circ$   
 耐功率 Power Handling: 30 Watt  
 方向功率 Reverse Power : 1 Watt  
 阻抗 Impedance: 50 OHMS

**机械特性 Mechanical :**

温度范围 Temperature Range:  $-55^\circ\text{C} - +85^\circ\text{C}$   
 接口 Connectors: 2.4-Female  
 相对湿度 Relative Humidity: 0 ~ 90%

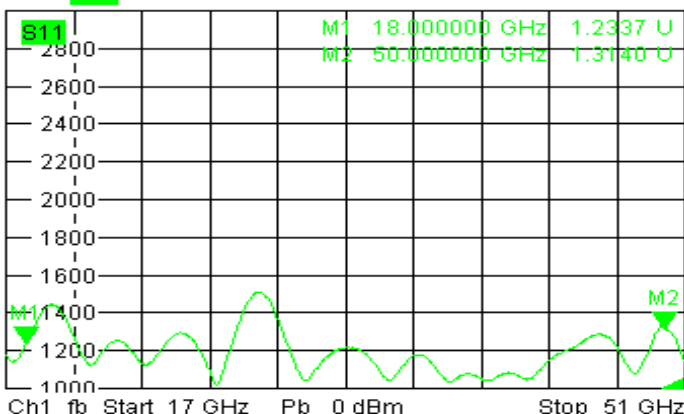
**外形尺寸 Outline Drawing:**

Unit: mm

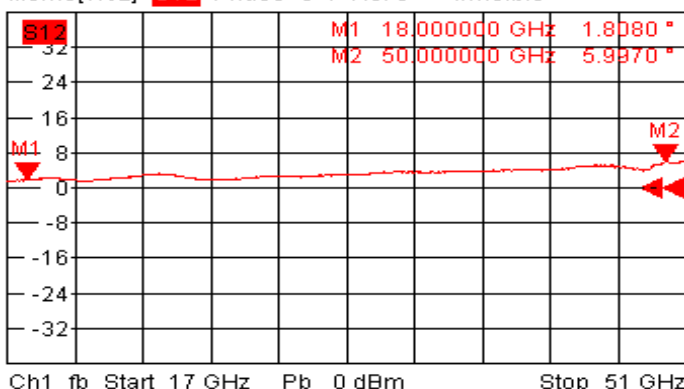




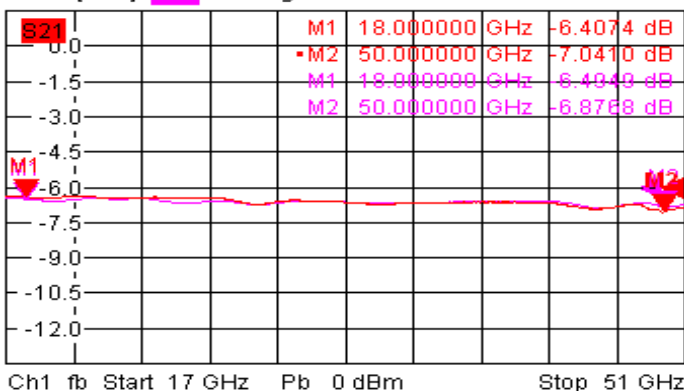
Trc1 **S11** SWR 200 mU/ Ref 1 U Cal 1



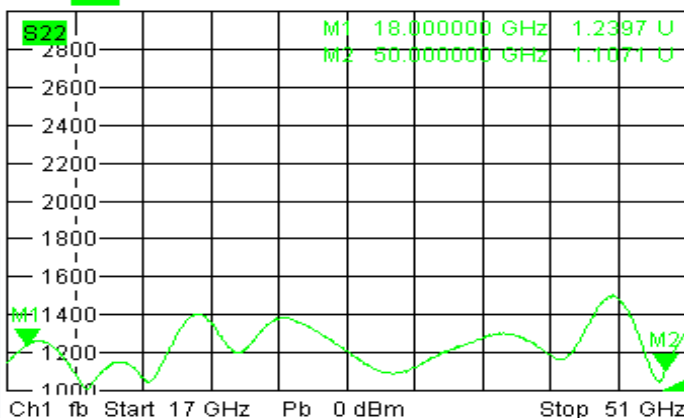
Trc2 **S12** Phase 8° / Ref 0° Cal Math 2  
Mem5[Trc2] **S12** Phase 8° / Ref 0° Invisible



Trc3 **S21** dB Mag 1.5 dB / Ref -6 dB Cal 3  
Mem6[Trc3] **S21** dB Mag 1.5 dB / Ref -6 dB



Trc4 **S22** SWR 200 mU/ Ref 1 U Cal 4



Trc2 **S12** dB Mag 2 dB / Ref -15 dB Cal

2 (Max)

