

## Coaxial Fixed Attenuator

### 2.92mm Female/DC-40GHz

Model: TAXXA2-2.92-40-F

TAXXA2-2.92-40-F is a 1~10/20/30 dB coaxial attenuator that is used in millimeterwave systems and operates from DC to 40 GHz.

#### Features:

- Operating Frequency DC to 40GHz
- Broadband Coverage
- Lost Cost

#### Applications:

- Test Lab
- Instrumentations
- System Integration

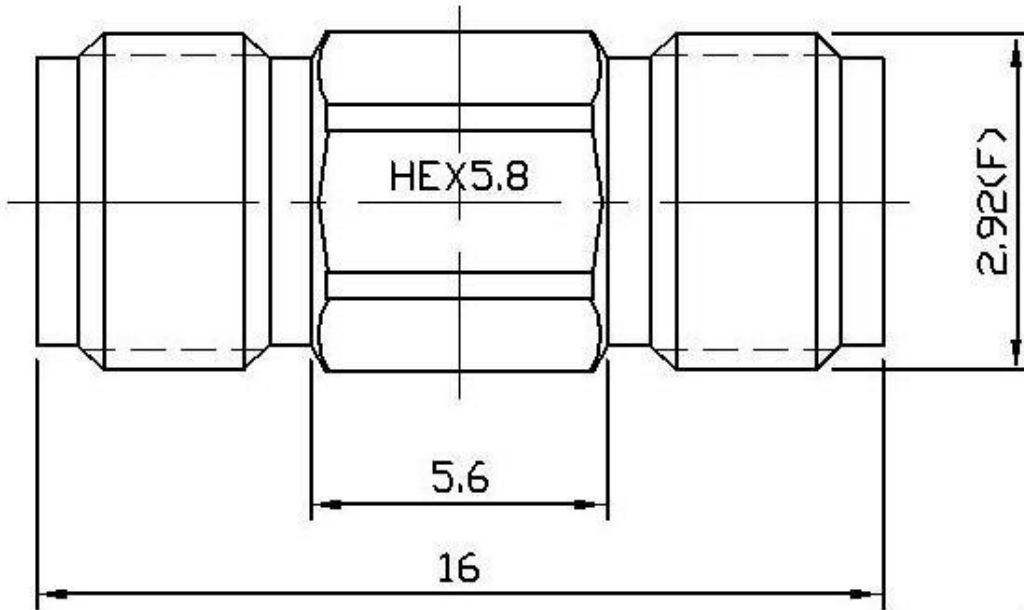
### 电气特性 Electrical Characteristics:

参数 Parameter	Min	Typ	Max	单位 Units
频率范围 Frequency Range	DC		40	GHz
衰减范围 Attenuation Range		1~10 ±0.7		dB
		20 ±0.8		dB
		30 ±0.8		dB
驻波 VSWR			1.3	:1
阻抗 Impedance		50		Ohms
射频功率值 RF Power Rating	2Watts Average at 25°C PEAK: 125 Watts(5 μs pulse width, 1% duty cycle)			

### 环境和机械特性 Environmental And Physical Characteristics:

类型 Description	参数 Parameter	单位 Units
操作温度 Operating Temperature	-55 To +125	°C
壳体材质 Body Material	Passivated stainless steel	
连接器材质 Connector Material	Passivated stainless steel	
内导体 Inner Conductor	Gold plated beryllium copper	
绝缘体 Insulators	PTFE, Virgin Electrical Grade	
接口 Connectors	2.92mm Female	
长度 Length	16	mm

外形图 Outline Drawing: Unit:mm



ESD Protection: Strictly adhere to ESD precautions to prevent electrostatic damage.

### 订货信息 Ordering Information:

标准型号 Base Number	描述 Description
TA01A2-2.92-40-F	Coaxial Fixed Attenuator, DC-40GHz, $1 \pm 0.7$ dB Attenuation
TA02A2-2.92-40-F	Coaxial Fixed Attenuator, DC-40GHz, $2 \pm 0.7$ dB Attenuation
TA03A2-2.92-40-F	Coaxial Fixed Attenuator, DC-40GHz, $3 \pm 0.7$ dB Attenuation
TA04A2-2.92-40-F	Coaxial Fixed Attenuator, DC-40GHz, $4 \pm 0.7$ dB Attenuation
TA05A2-2.92-40-F	Coaxial Fixed Attenuator, DC-40GHz, $5 \pm 0.7$ dB Attenuation

## 订货信息 Ordering Information:

标准型号 Base Number	描述 Description
TA06A2-2.92-40-F	Coaxial Fixed Attenuator, DC-40GHz, $6 \pm 0.7$ dB Attenuation
TA07A2-2.92-40-F	Coaxial Fixed Attenuator, DC-40GHz, $7 \pm 0.7$ dB Attenuation
TA08A2-2.92-40-F	Coaxial Fixed Attenuator, DC-40GHz, $8 \pm 0.7$ dB Attenuation
TA09A2-2.92-40-F	Coaxial Fixed Attenuator, DC-40GHz, $9 \pm 0.7$ dB Attenuation
TA10A2-2.92-40-F	Coaxial Fixed Attenuator, DC-40GHz, $10 \pm 0.7$ dB Attenuation
TA20A2-2.92-40-F	Coaxial Fixed Attenuator, DC-40GHz, $20 \pm 0.8$ dB Attenuation
TA30A2-2.92-40-F	Coaxial Fixed Attenuator, DC-40GHz, $30 \pm 0.8$ dB Attenuation