

## Coaxial Fixed Attenuator

### SMA Male to Female/DC-26.5GHz

Model: TAXXA10-S-26.5A

TAXXA10-S-26.5A is a 1-10/20/30 dB coaxial attenuator that is used in millimeterwave systems and operates from DC to 26.5 GHz.

#### Features:

- Operating Frequency DC to 26.5GHz
- Broadband Coverage
- Lost Cost

#### Applications:

- Test Lab
- Instrumentations
- System Integration

### 电气特性 Electrical Characteristics:

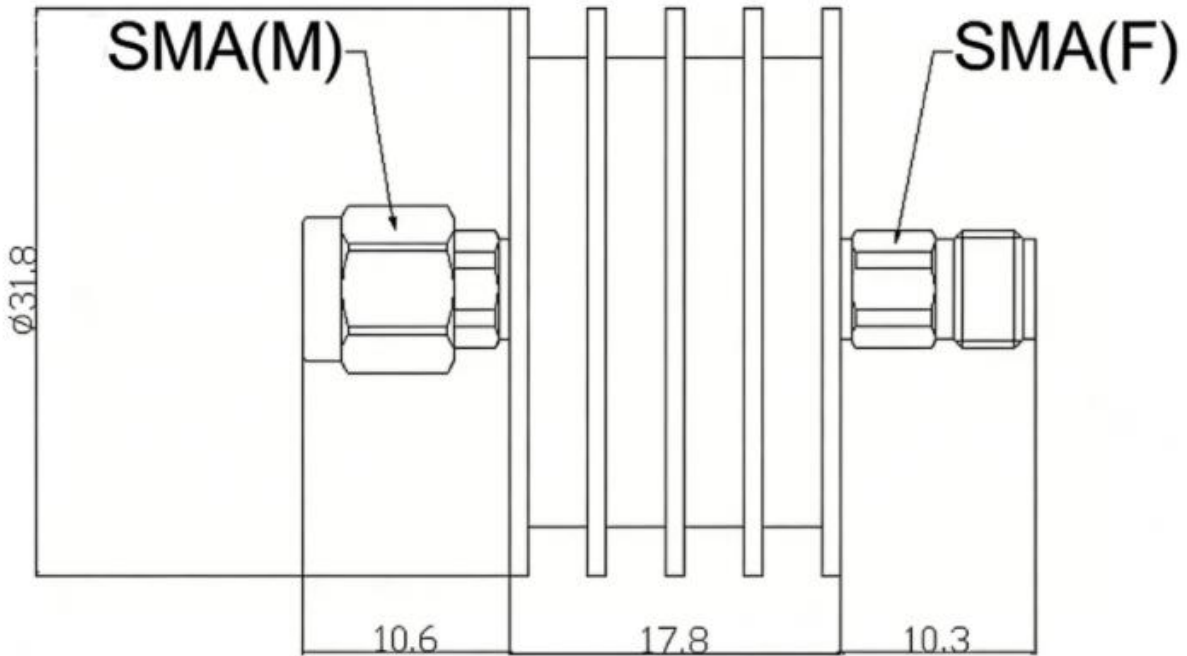
参数 Parameter	Min	Typ	Max	单位 Units
频率范围 Frequency Range	DC		26.5	GHz
衰减范围 Attenuation Range		1~10(-0.6/+0.8)		dB
		20(-0.6/+0.8)		dB
		30(-0.8/+1.0)		dB
驻波 VSWR			1.25	:1
阻抗 Impedance		50		Ohms
射频功率值 RF Power Rating	10 Watts Average at 25°C PEAK: 100 Watts(5 μs pulse width, 2.5% duty cycle)			

### 环境和机械特性 Environmental And Physical Characteristics:

类型 Description	参数 Parameter	单位 Units
操作温度 Operating Temperature	-55 To +125	°C
壳体材质 Body Material	Black,finned aluminum	
连接器材质 Connector Material	Passivated stainless steel	
内导体 Inner Conductor	Beryllium bronze, gold plated	
接口 Connectors	SMA Male/SMA Female	
尺寸 Size	∅31.8×38.7	mm

外形图 Outline Drawing:

Unit:mm



ESD Protection: Strictly adhere to ESD precautions to prevent electrostatic damage.

### 订货信息 Ordering Information:

标准型号 Base Number	描述 Description
TA01A10-S-26.5A	Coaxial Fixed Attenuator, DC-26.5GHz,1(-0.6/+0.8)dB Attenuation
TA02A10-S-26.5A	Coaxial Fixed Attenuator, DC-26.5GHz,2(-0.6/+0.8)dB Attenuation
TA03A10-S-26.5A	Coaxial Fixed Attenuator, DC-26.5GHz,3(-0.6/+0.8)dB Attenuation
TA04A10-S-26.5A	Coaxial Fixed Attenuator, DC-26.5GHz,4(-0.6/+0.8)dB Attenuation
TA05A10-S-26.5A	Coaxial Fixed Attenuator, DC-26.5GHz,5(-0.6/+0.8)dB Attenuation
TA06A10-S-26.5A	Coaxial Fixed Attenuator, DC-26.5GHz,6(-0.6/+0.8)dB Attenuation

## 订货信息 Ordering Information:

标准型号 Base Number	描述 Description
TA07A10-S-26.5A	Coaxial Fixed Attenuator, DC-26.5GHz,7(-0.6/+0.8)dB Attenuation
TA08A10-S-26.5A	Coaxial Fixed Attenuator, DC-26.5GHz,8(-0.6/+0.8)dB Attenuation
TA09A10-S-26.5A	Coaxial Fixed Attenuator, DC-26.5GHz,9(-0.6/+0.8)dB Attenuation
TA10A10-S-26.5A	Coaxial Fixed Attenuator, DC-26.5GHz,10(-0.6/+0.8)dB Attenuation
TA20A10-S-26.5A	Coaxial Fixed Attenuator, DC-26.5GHz,20(-0.6/+0.8)dB Attenuation
TA30A10-S-26.5A	Coaxial Fixed Attenuator, DC-26.5GHz,30(-0.8/+1.0)dB Attenuation