

Waveguide to Coax Adapter, End Launch

WR-15/1.0mm Male/ 50-75GHz

Model: TL-15WCA1.0ME

Features:

- Operating Frequency 50 to 75GHz
- Lower Insertion Loss and VSWR
- Instrumentation Grade
- DC Short Circuit

Applications:

- Test Lab
- Instrumentations
- Sub-assemblies

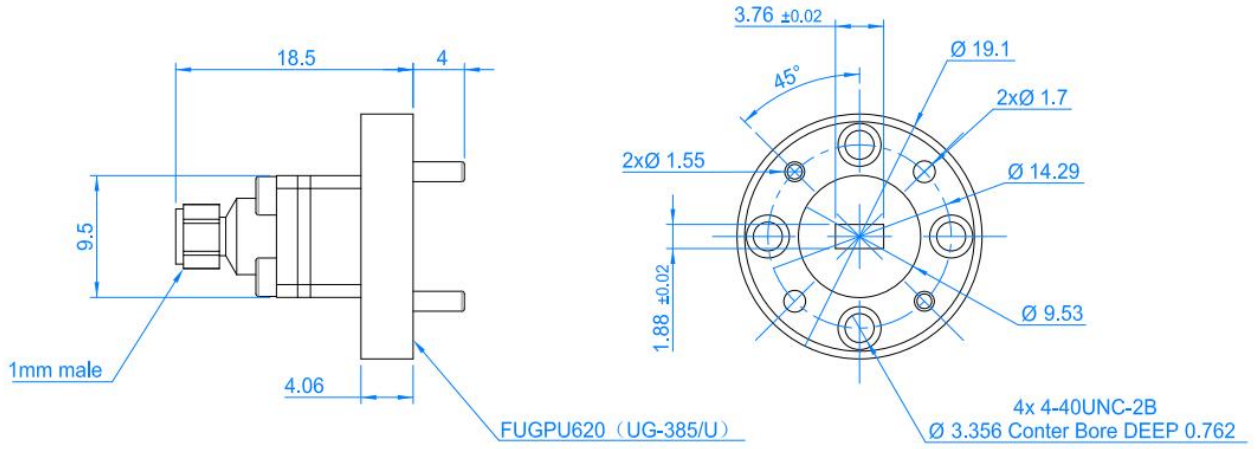
电气特性 Electrical Characteristics:

参数 Parameter	Min	Typ	Max	单位 Units
频率范围 Frequency Range	50		75	GHz
驻波 VSWR			1.4	:1
插损 Insertion Loss			1.0	dB
耐功率 Power			2	W

环境和机械特性 Environmental And Physical Characteristics:

类型 Description	参数 Parameter	单位 Units
操作温度 Operating Temperature	-40 To +85	°C
存储温度 Storage Temperature	-40 to +85	°C
材质 Material	Al	
表面处理 Finish	Gold Plated	
同轴接口 Coax Connector	1.0mm Male	
波导 Waveguide	WR15/UG-385/U-M	

尺寸图 Outline Drawing: Unit:mm



订货信息 Ordering Information:

标准型号 Base Number	描述 Description	版本号 Revision
TL-15WCA1.0ME	Waveguide to Coax Adapter, End Launch WR15/1.0mm Male,50-75GHz	Rev.1.1