

Waveguide to Coax Adapter, End Launch

WR-12/1.85mm Female/60-67GHz

Model: TL-12WCA1.85E-AL

Features:

- Operating Frequency 60 to 67GHz
- Lower Insertion Loss and VSWR
- Instrumentation Grade
- DC Short Circuit

Applications:

- Test Lab
- Instrumentations
- Sub-assemblies

电气特性 Electrical Characteristics:

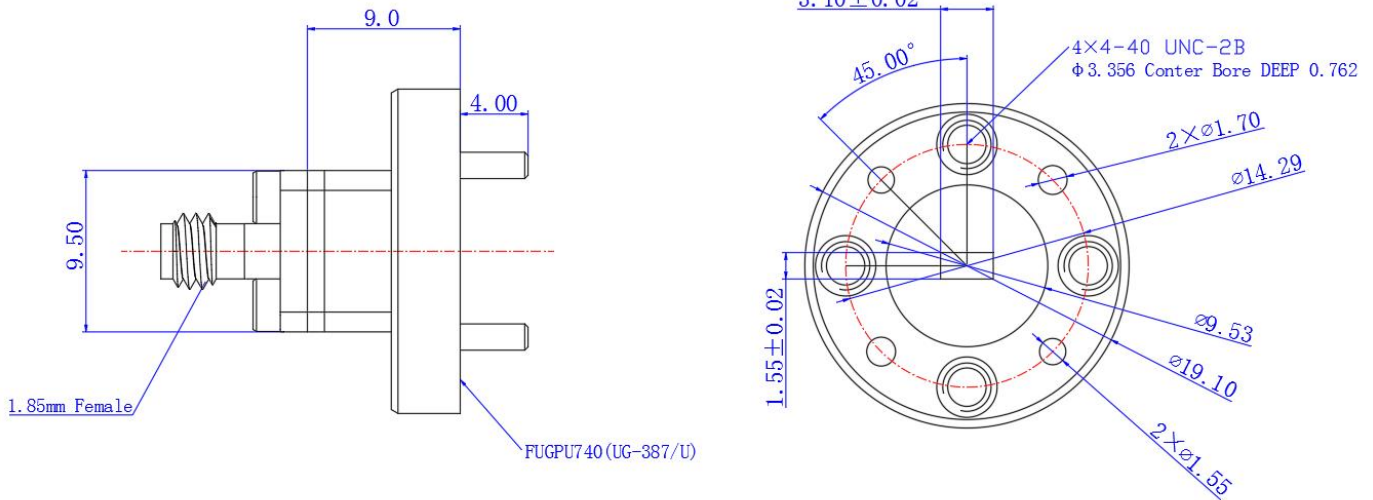
| 参数 Parameter | Min | Typ | Max | 单位 Units |
|----------------------|-----|-----|-----|----------|
| 频率范围 Frequency Range | 60 | | 67 | GHz |
| 驻波 VSWR | | | 1.3 | :1 |
| 插损 Insertion Loss | | | 0.8 | dB |
| 耐功率 Power Handling | | | 2 | W |

环境和机械特性 Environmental And Physical Characteristics:

| 类型 Description | 参数 Parameter | 单位 Units |
|---------------------|-----------------|----------|
| 材质 Material | Aluminum | |
| 表面处理 Finish | Gold Plated | |
| 同轴接口 Coax Connector | 1.85mm Female | |
| 波导 Waveguide | WR12/UG-387/U-M | |

外形图 Outline Drawing:

Unit:mm



ESD Protection: Strictly adhere to ESD precautions to prevent electrostatic damage.

订货信息 Ordering Information:

| 标准型号 Base Number | 描述 Desciption | 版本号 Revision |
|------------------|--|--------------|
| TL-12WCA1.85E-AL | Waveguide to Coax Adapter, End Launch WR12/1.85mm Female,60-67GHz | Rev.1.1 |