

Waveguide to Coax Adapter, End Launch

WR6.5/0.8mm Female/110-170GHz

Model: TL-6WCA0.8E-AL

Features:

- Operating Frequency 110 to 170GHz
- Lower Insertion Loss and VSWR
- Instrumentation Grade
- DC Short Circuit

Applications:

- Test Lab
- Instrumentations
- Sub-assemblies

电气特性 Electrical Characteristics:

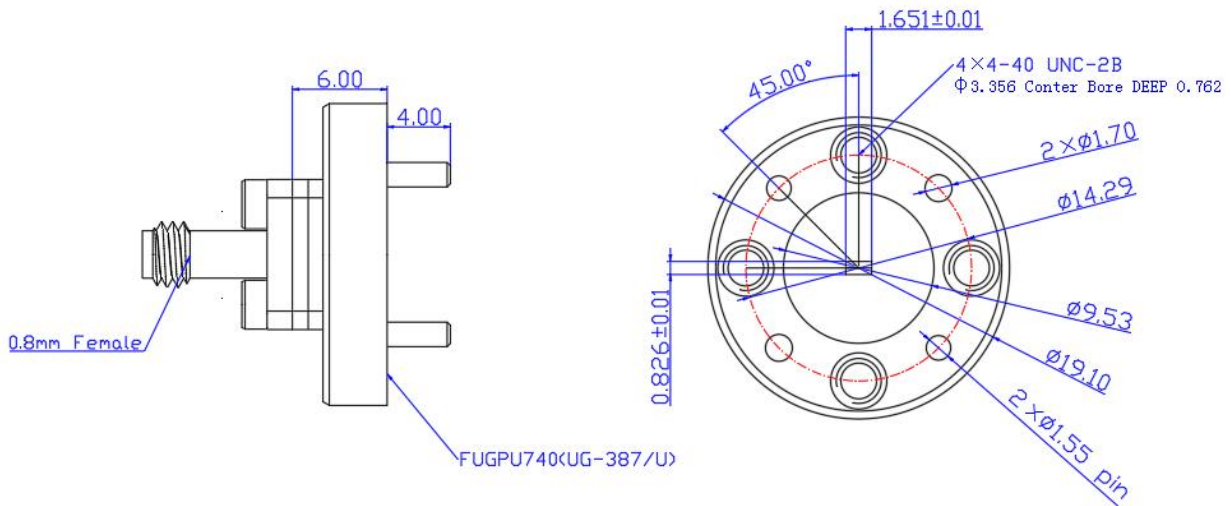
参数 Parameter	Min	Typ	Max	单位 Units
频率范围 Frequency Range	110		170	GHz
驻波 VSWR		1.8		:1
插损 Insertion Loss		1.5	2.5	dB
耐功率 Power Handling			2	W

环境和机械特性 Environmental And Physical Characteristics:

类型 Description	参数 Parameter	单位 Units
材质 Material	Aluminum	
表面处理 Finish	Gold Plated	
同轴接口 Coax Connector	0.8mm Female	
波导 Waveguide	WR6.5/UG-387/U-M	

外形图 Outline Drawing:

Unit:mm

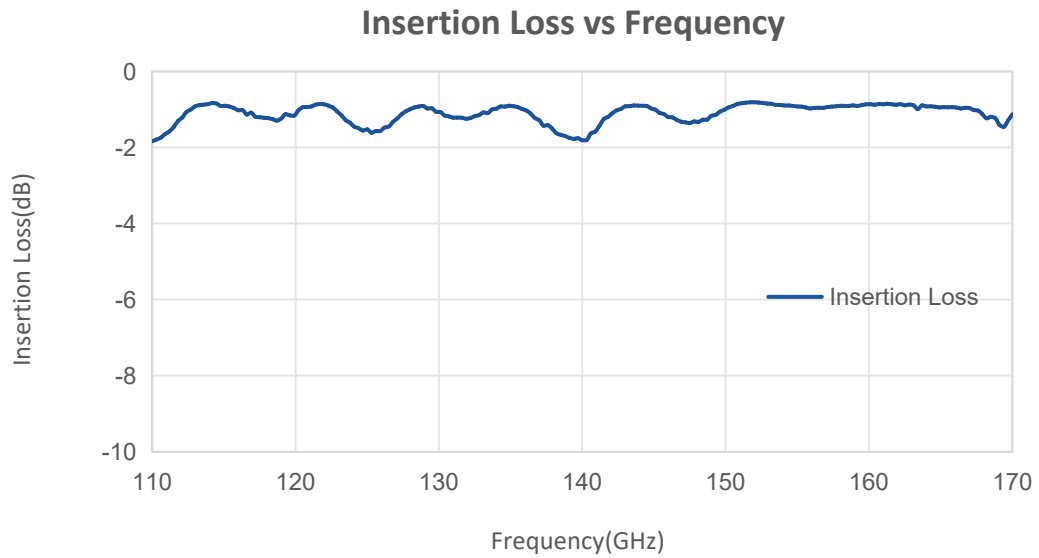


ESD Protection: Strictly adhere to ESD precautions to prevent electrostatic damage.

订货信息 Ordering Information:

标准型号 Base Number	描述 Description	版本号 Revision
TL-6WCA0.8E-AL	Waveguide to Coax Adapter, End Launch WR6.5/0.8mm Female,110-170GHz	Rev.1.1

典型曲线 Typical Performance Data:



Note: Above data is for ref only, actual data may vary from unit to unit depending on operating environment and other factors like material lots etc.