

W-Band VNA Frequency Extender

67-110GHz /WR-10

Model: TLVE-67110-10-A/TLVE-67110-10

TLVE-67110-10 frequency extenders are a dedicated Test & Measurement solution for extending the range of your Vector Network Analyzer (VNA) to 67-110 GHz.

Features:

- Frequency range: 67-110 GHz
- Port Output Power (No Attenuation): 8dBm Typ
- Dynamic Range @10Hz BW: 110dB Typ
- Unconditional stability

Applications:

- VNA Frequency Extension
- Antenna measurements
- Material characterisation

电气特性 Electrical Characteristics:

参数 Parameter	Min	Typ	Max	单位 Units
频率范围 Frequency range	67		110	GHz
测试端口输出功率 Test Port Output Power		8		dBm
测试端口输入功率 Test Port Input Power (Damage)			20	dBm
输出功率衰减 Output Power Attenuation (Option:Variable attenuators)	0		30	dB
动态范围 Dynamic Range @ 10Hz BW	100	110		dB
射频输入频率 RF Input Frequency	11.16		18.33	GHz
射频输入功率 RF Input Power	0	1	3	dBm
RF倍频次数 RF Multiplication Factor		6		
本振输入频率 LO Input Frequency	11.16		18.33	GHz
本振输入功率 LO Input Power	0	1	3	dBm
LO倍频次数 LO Multiplication Factor		6		
中频频率范围 IF Frequency Range	1		1000	MHz
有效方向性 Effective Directionality@10Hz BW	35	40		dB
有效负载匹配 Payload Matching@10Hz BW	45	60		dB
反射追踪 ReflectionTracking@10Hz BW		±0.03	±0.1	dB
传输追踪 Transmission Tracking@10Hz BW		±0.03	±0.1	dB
幅度稳定度 Amplitude stability @300 Hz BW		±0.1		dB
相位稳定度 Phase Stability @300 Hz BW		±1	±1.5	°

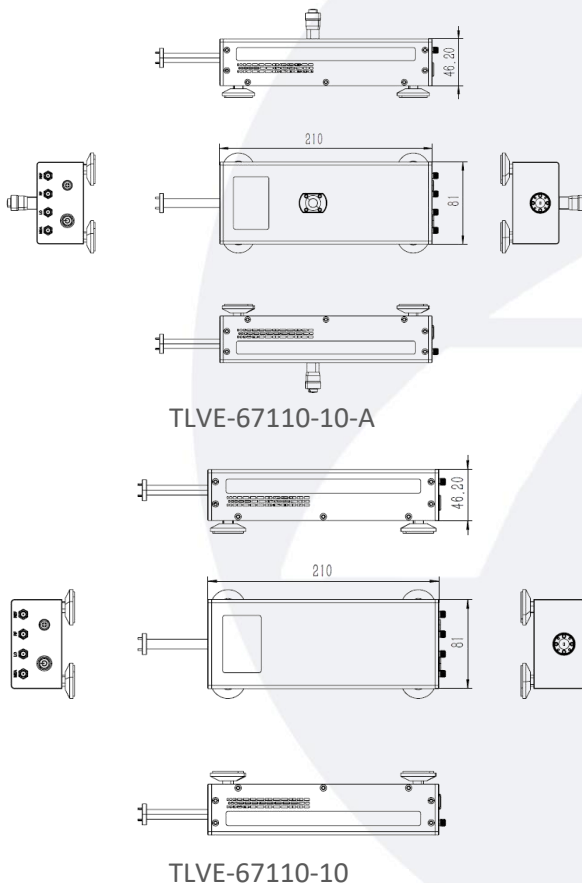
机械特性 Mechanical Specifications:

参数 Parameter	指标 Value
RF/LO输入接口 RF/LO Input Connector	SMA Female
MEA/REF IF输出接口 MEA/REF IF Output Connector	SMA Female
测试端口 Test Port Connector	WR-10/UG-387/U
供电 Power Supply Pin	FGG 0B 4 Core
尺寸 Size	210*81*46.2mm

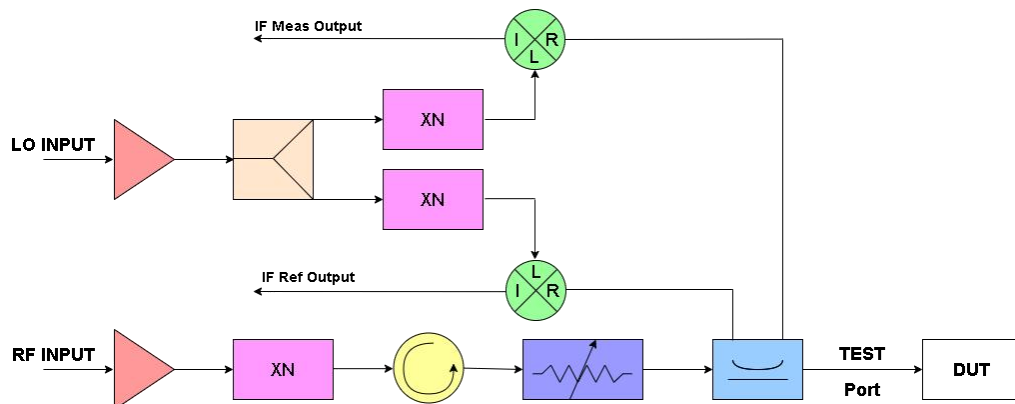
绝对最大值 Absolute Maximum Ratings :

描述 Description	参数 Parameter	单位 Units
测试端输入功率 Test Port Input Power	+20	dBm
RF/LO端损坏等级 RF/LO Port Damage Level	+10	dBm
供电偏置 Supply Bias Voltage	+240 V AC	
ESD灵敏度 ESD sensitivity (HBm)	Class 0, passed 150V	

外形图 Outline Drawing: Unit:mm



原理框图 Block Diagrams:



环境和物理特性 Environmental And Physical

描述 Description	参数 Parameter	单位 Units
操作温度 Operating Temperature	0 To +45	°C
存储温度 Storage Temperature	-55 to +125	°C
材质 Material	Al	
表面处理 Finish	Gray spray paint	

订货信息 Ordering Information:

标准型号 Part Number	描述 Description	版本号 Revision
TLVE-67110-10	W-band VNA Frequency Extender, 67-110 GHz, Output Power: 8dBm typ., Dynamic Range:110 dB typ., Magnitude Stability @300Hz BW:±0.1dB, Phase Stability @300Hz BW:±1°	Rev.1.1
TLVE-67110-10-A	W-band VNA Frequency Extender, 67-110 GHz, Output Power: 8dBm typ., Dynamic Range:110 dB typ., Magnitude Stability @300Hz BW:±0.1dB, Phase Stability @300Hz BW:±1°, with Micrometer driven variable attenuators	Rev.1.1

随货配件 Components Included:

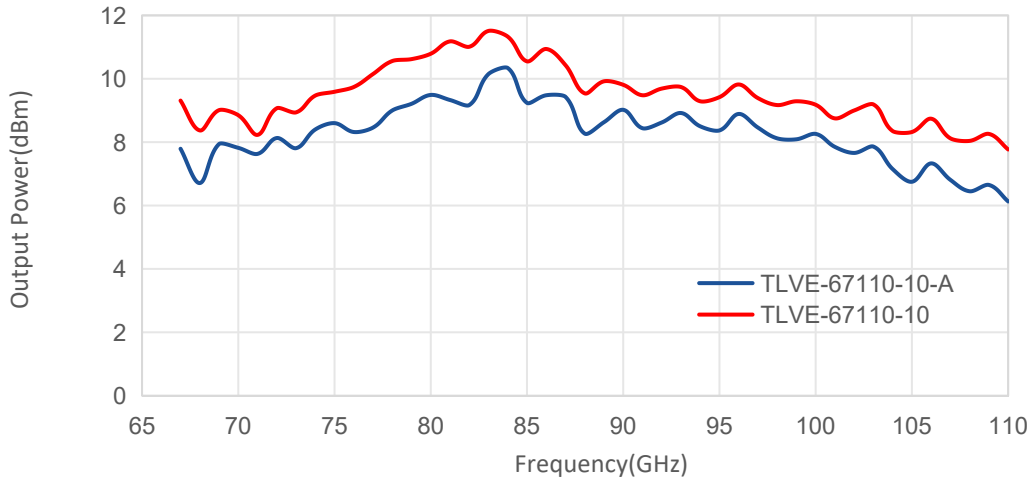
标准型号 Part Number	描述 Description	数量 Quantity
S1-SMAMSMAM-1.2m	COAXIAL CABLE ASSEMBLY	4 PCS
TLACTDC-22012	AC-to-DC Power Adapter	1 PCS

Notes:

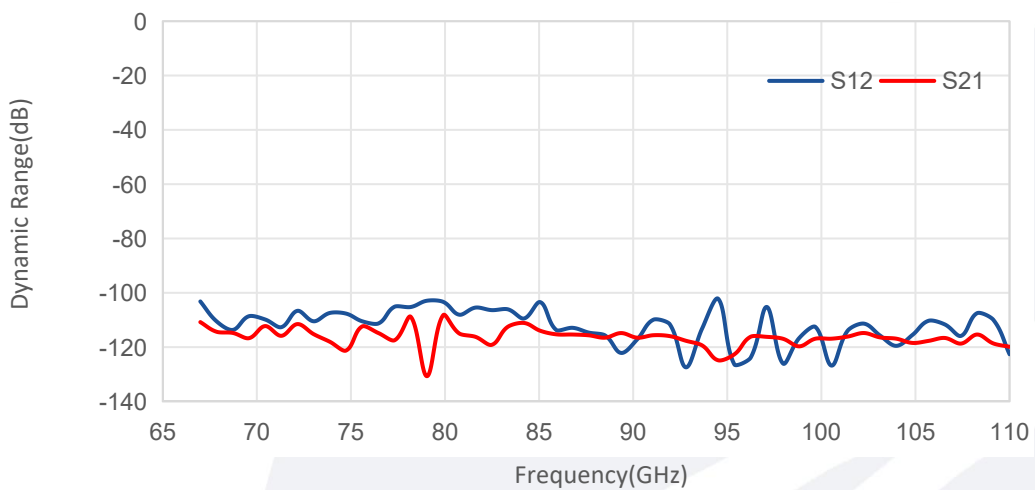
- Dimensions and specifications may be changed without prior notice.
- Standard Warranty: three years.

典型曲线 Typical Performance Data:

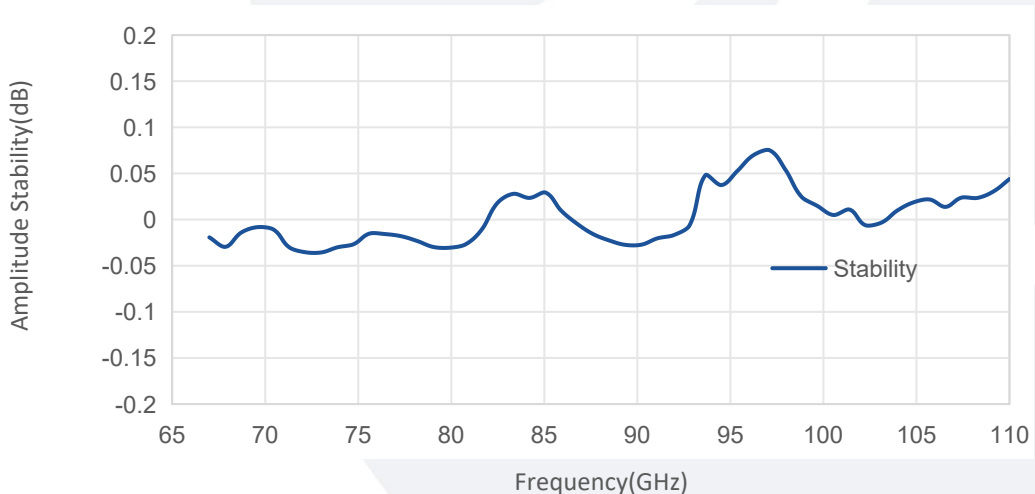
Output Power vs Frequency



Dynamic Range vs Frequency



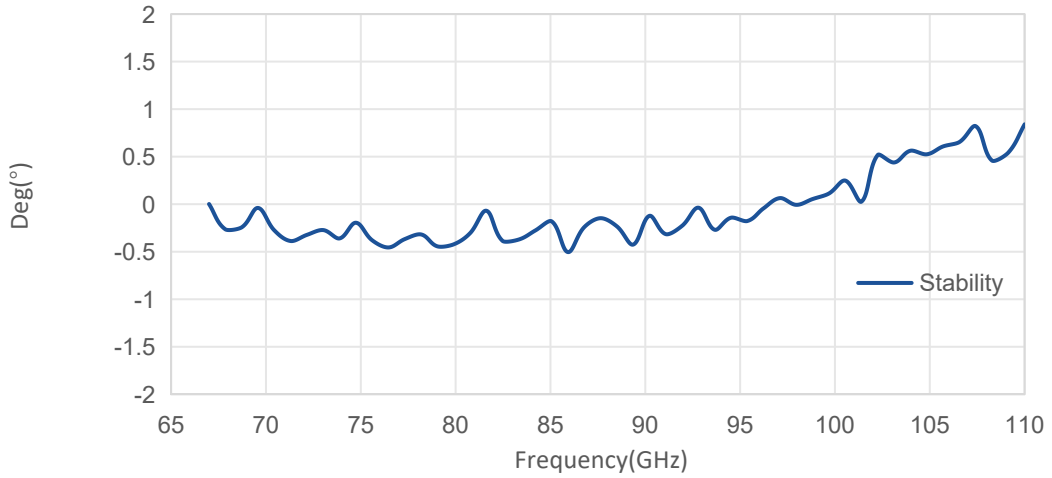
Amplitude Stability vs Frequency



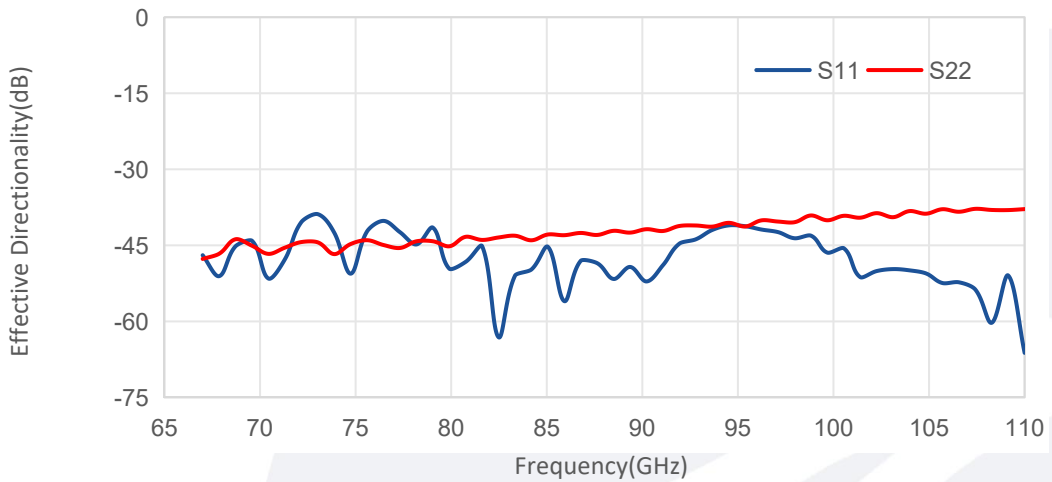
Note: Above data is for ref only, actual data may vary from unit to unit depending on operating environment and other factors like material lots etc.

典型曲线 Typical Performance Data:

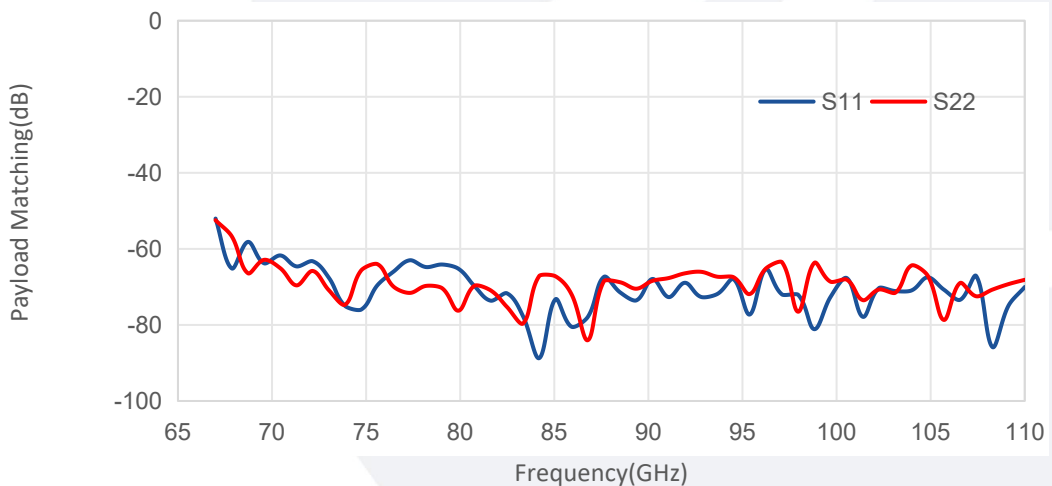
Phase Stability vs Frequency



Effective Directionality vs Frequency



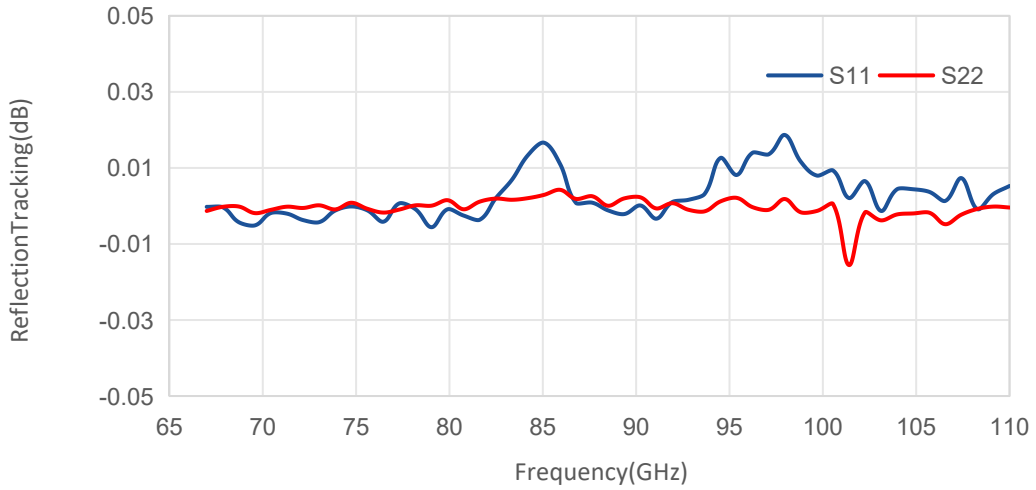
Payload Matching vs Frequency



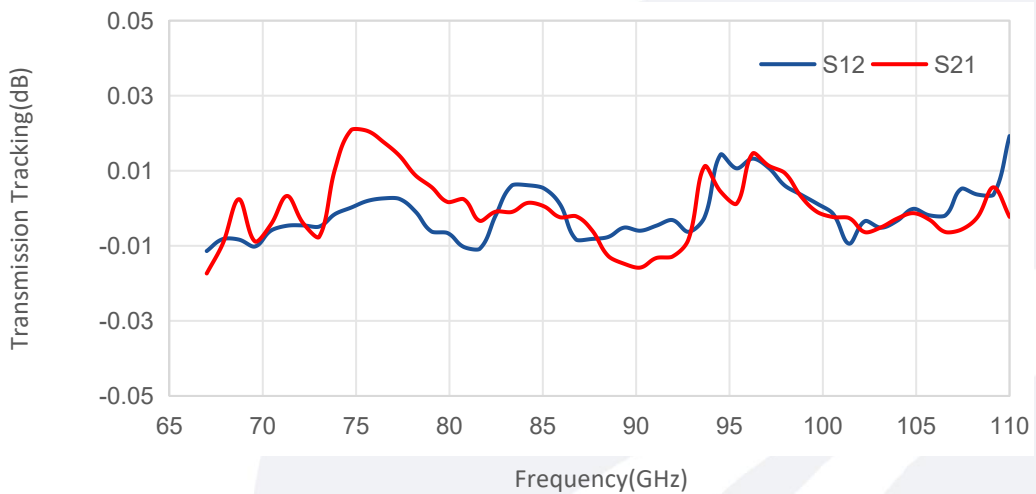
Note: Above data is for ref only, actual data may vary from unit to unit depending on operating environment and other factors like material lots etc.

典型曲线 Typical Performance Data:

Reflection Tracking vs Frequency



Transmission Tracking vs Frequency



Note: Above data is for ref only, actual data may vary from unit to unit depending on operating environment and other factors like material lots etc.