

Active Frequency Multiplier

X2/ 18-50GHz /15dBm Output Power

Model: TLAM-1850-0215-K

TLAM-1850-0215-K is an active X2 frequency multiplier. The multiplier has an input frequency of 9 to 25 GHz with a typical input power of -6 to dBm and an output frequency of 18 to 50 GHz with a typical output power of +15 dBm. The DC power requirement for the multiplier is +12 V DC/150 mA. The input port configuration is female 2.92mm connector and output port configuration is female 2.4mm connector.

Features:

- Output Frequency:18-50GHz
- Output Power :15dBm Typ
- Low power consumption
- 50 Ohm Matched Input / Output

Applications:

- Synthesizers
- Local oscillators

电气特性 Electrical Characteristics:

参数 Parameter	Min	Typ	Max	单位 Units
输出频率 Output Frequency	18		50	GHz
输出功率 Output Power		+15		dBm
输入频率 Input Frequency	9		25	GHz
输入功率 Input Power		-6	-4	dBm
倍频次数 Multiply Factor		2		
谐波抑制 Harmonic Suppression		-20		dBc
供电电压 DC Voltage		+12		V
供电电流 DC Supply Current		150		mA

机械特性 Mechanical Specifications:

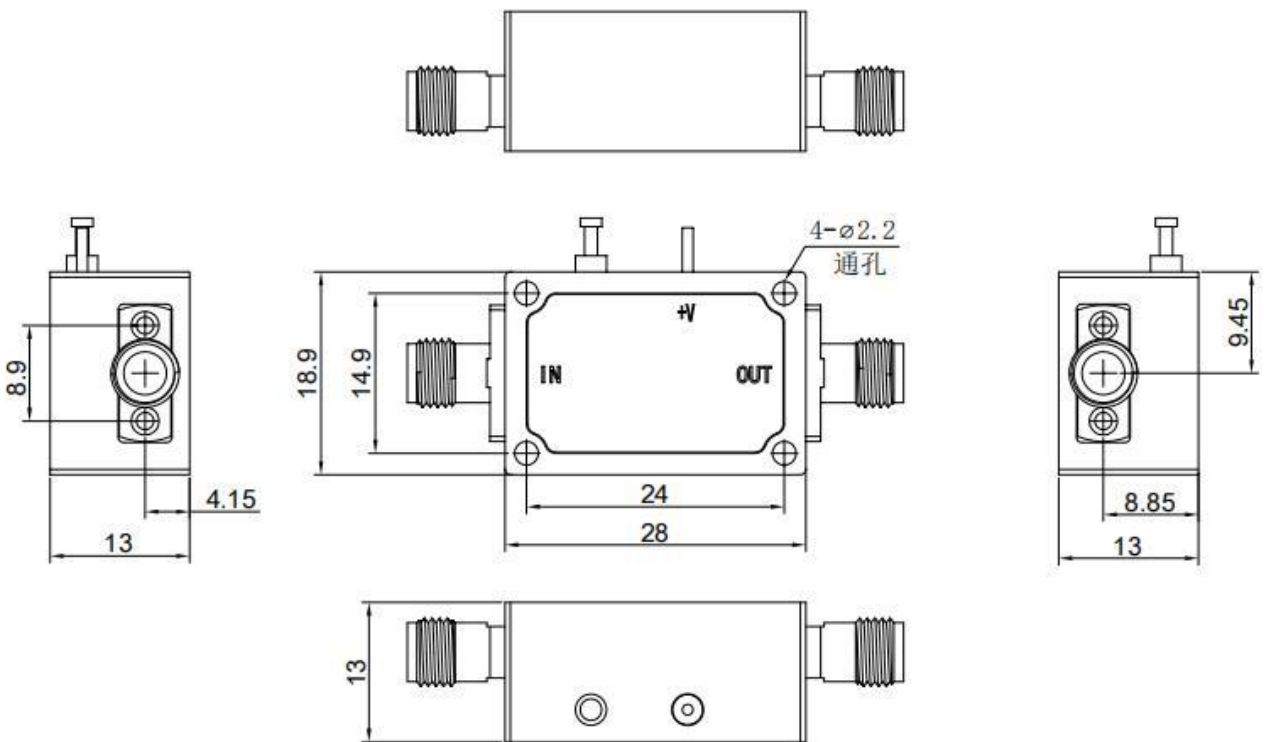
参数 Parameter	指标 Value	单位 Units
输出接口 Output Connector	2.4mm Female	
输入接口 Input Connector	2.92mm Female	
直流偏置 DC Bias	Solder Pin	
尺寸 Size	28*18.9*13	mm

绝对最大值 Absolute Maximum Ratings:

参数 Parameter	指标 Value
供电偏置电压 Supply Bias Voltage	+15 V
输入功率 RF Input Power	+10 dBm
ESD灵敏度 ESD sensitivity (HBm)	Class 0, passed 150V

外形图 Outline Drawing:

Unit:mm



ESD Protection: Strictly adhere to ESD precautions to prevent electrostatic damage.

温度环境 Environmental Conditions:

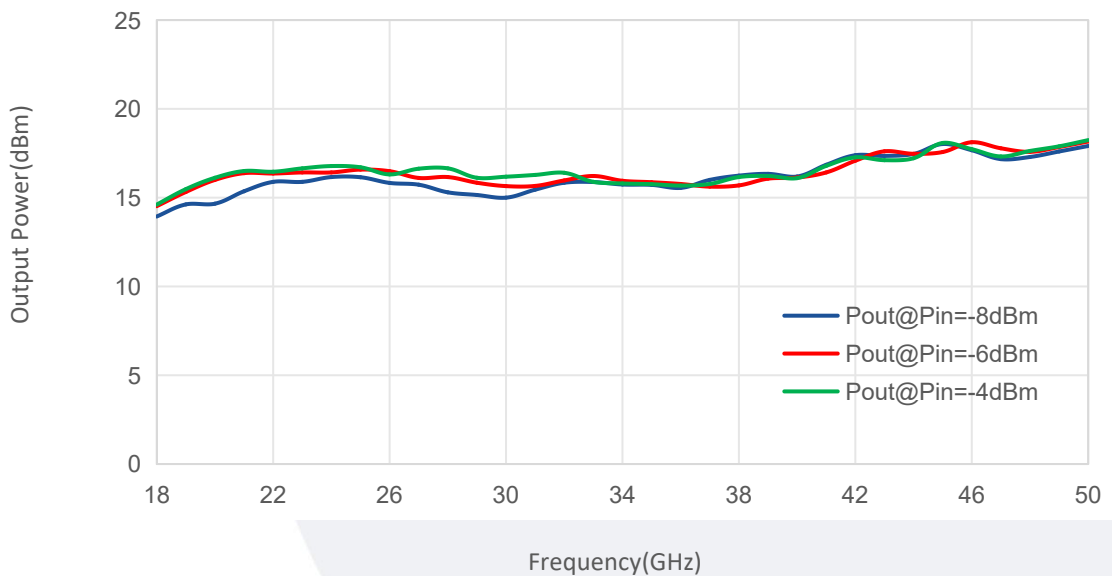
参数 Parameter	Min	Typ	Max	单位 Units
操作温度 Operating Temperature	-55		+85	°C
存储温度 Non-operating Temperature	-68		+150	°C
相对湿度 Relative humidity		95		%
海拔 Altitude	50,000			feet
震动 Shock / Vibration(MIL-STD-810F)	25g rms (15 degree 2KHz) endurance, 1 hour per axis			
冲击 Shock(non operating)	20G for 11msc half sin wave,3 axis both directions			

订货信息 Ordering Information:

标准型号 Base Number	描述 Description	版本号 Revision
TLAM-1850-0215-K	Active Multiplier , X2, 18-50 GHz,+15dBm Output Power	Rev.1.1

典型曲线 Typical Performance Data:

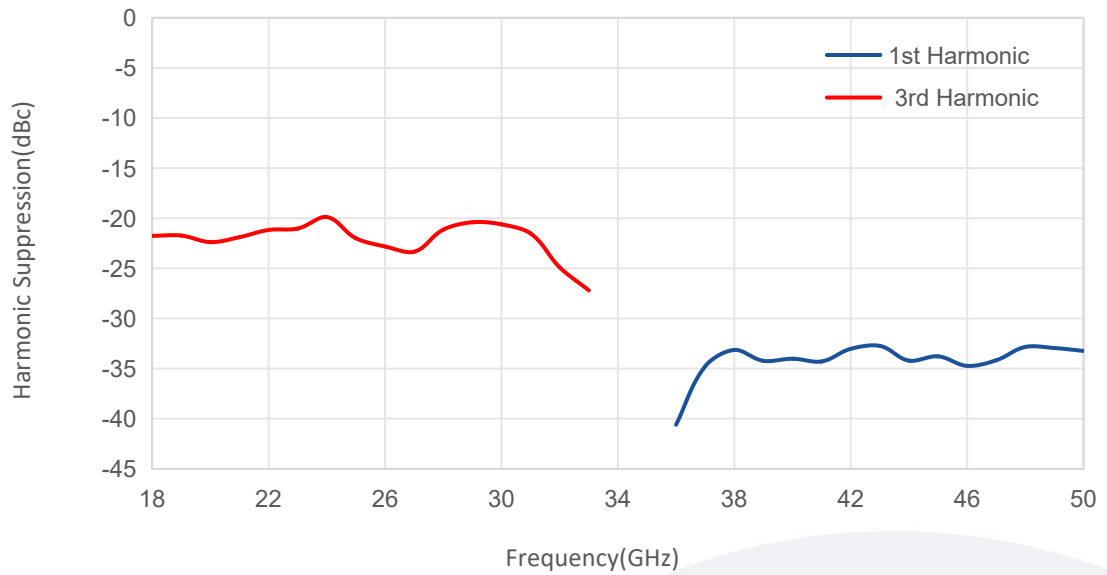
Output Power vs Frequency



Note: Above data is for ref only, actual data may vary from unit to unit depending on operating environment and other factors like material lots etc.

典型曲线 Typical Performance Data:

Harmonic Suppression vs Frequency



Note: Above data is for ref only, actual data may vary from unit to unit depending on operating environment and other factors like material lots etc.