

Coaxial Band-pass Filter

12-18 GHz/SMA Female

Model: TLBF-12G-18G-X

TLBF-12G-18G-X is a coaxial band-pass filter with a passband frequency from 12 to 18 GHz and a rejection frequencies from DC-10.9GHz and 20.7-24 GHz. The maximum insertion loss of the filter is 1.5 dB and the typical rejection is 50 dB.

Features:

- Passband Frequency Range 12 to 18 GHz
- Low Insertion Loss
- High Rejection
- Steep Rejection Skirts
- Field Replaceable RF Connectors

Applications:

- Instrumentations
- Radar Systems
- System Integrations

电气特性 Electrical Characteristics:

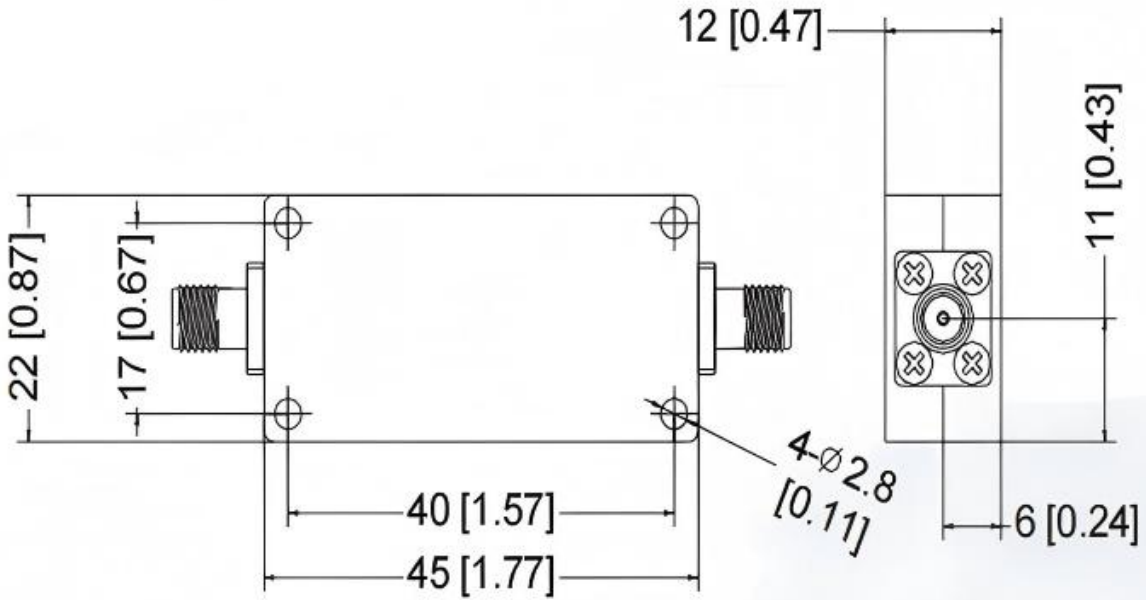
参数 Parameter	Min	Typ	Max	单位 Units
通带频率范围 Passband Frequency range	12		18	GHz
带宽 Band Width			6	GHz
通带插损 Passband Insertion Loss			1.5	dB
带内波动 Pass Band Ripple			1.4	dB
带外抑制 Rejection	>50dB@dc-10.9GHz 20.7-24GHz			dB
耐受功率 Power Handling			15	W
驻波 VSWR			1.8	:1
阻抗 Impedance	50			Ohms

环境和机械特性 Environmental And Physical Characteristics:

类型 Description	参数 Parameter	单位 Units
操作温度 Operating Temperature	-40 To +70	°C
接口 Connectors	SMA Female	
重量 Weight	/	g

外形图 Outline Drawing:

Unit:mm; Tolerance \pm 0.1mm



ESD Protection: Strictly adhere to ESD precautions to prevent electrostatic damage.

订货信息 Ordering Information:

标准型号 Base Number	描述 Description	版本号 Revision
TLBF-12G-18G-X	Coaxial Band-pass Filter, Passband frequency range:12-18GHz, Passband Insertion Loss:1.5dB, SMA Female	Rev.1.0