

Waveguide to Coax Adapter, Right Angle

WR-28/2.92mm Female/26-40GHz

Model: TL-28WCAKR-CU

The TL-28WCAKR-CU is right angle waveguide to coax adapters that cover the frequency range of 26 to 40 GHz. It is designed for an efficient transition between the rectangular waveguide and 2.92mm coax connector.

Features:

- Operating Frequency 26 to 40GHz
- Lower Insertion Loss and VSWR
- Instrumentation Grade
- DC Short Circuit

Applications:

- Test Lab
- Instrumentations
- Sub-assemblies

Electrical Characteristics:

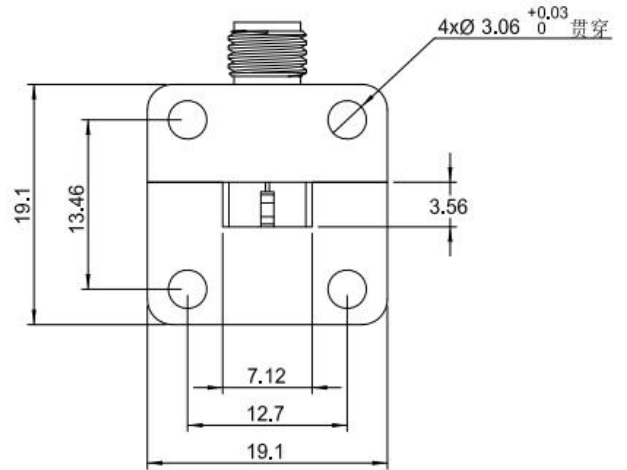
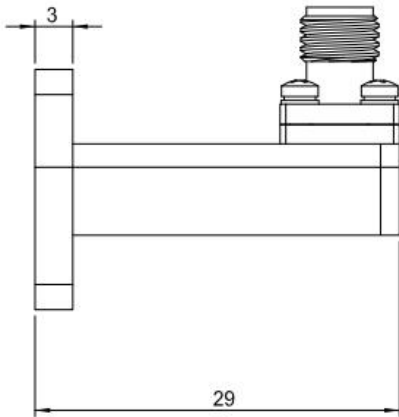
Parameter	Min	Typ	Max	Units
Frequency Range	26		40	GHz
VSWR		1.3		:1
Insertion Loss		0.5		dB

Environmental And Physical Characteristics:

Description	Parameter	Units
Material	Copper	
Finish	Gold Plated	
Coax Connector	2.92mm Female	
Waveguide	WR-28/UG-599/U	
Size	29*19.1*19.1	mm

Outline Drawing:

Unit:mm



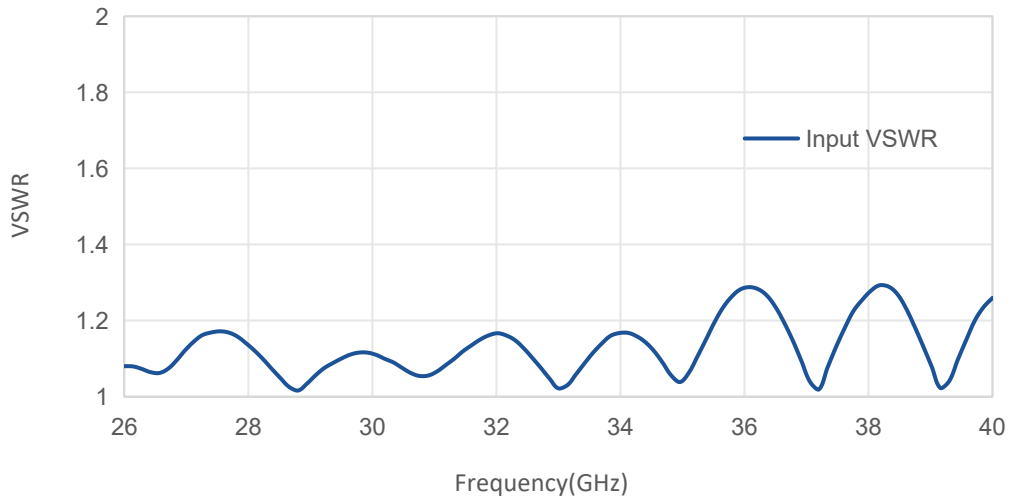
ESD Protection: Strictly adhere to ESD precautions to prevent electrostatic damage.

Ordering Information:

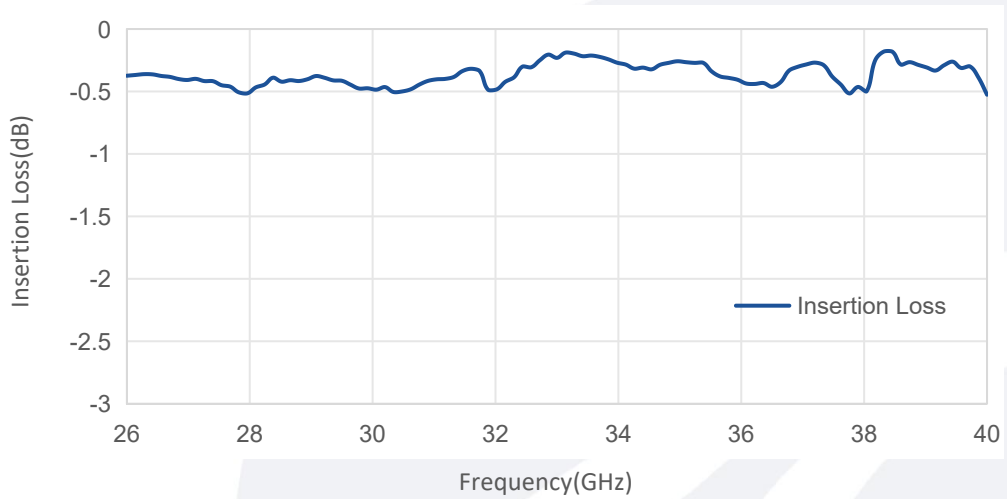
Base Number	Description	Revision
TL-28WCAKR-CU	Waveguide to Coax Adapter, Right Angle WR-28/2.92mm Female,26-40GHz	Rev.1.0

Typical Performance Data:

VSWR vs Frequency



Insertion Loss vs Frequency



Note: Above data is for ref only, actual data may vary from unit to unit depending on operating environment and other factors like material lots etc.