

## Waveguide to Coax Adapter, End Launch

WR22/2.4mm Female/33-50GHz

Model: TL-22WCA2.4E-CU

### Features:

- Operating Frequency 33 to 50GHz
- Lower Insertion Loss and VSWR
- Instrumentation Grade
- DC Short Circuit

### Applications:

- Test Lab
- Instrumentations
- Sub-assemblies

### Electrical Characteristics:

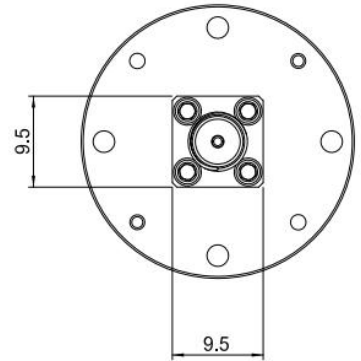
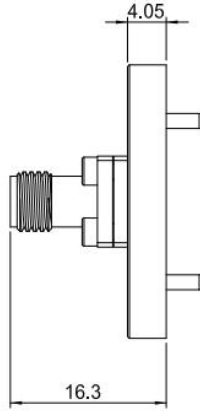
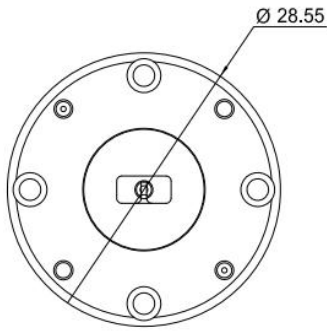
Parameter	Min	Typ	Max	Units
Frequency Range	33		50	GHz
VSWR		1.3		:1
Insertion Loss		0.5		dB

### Environmental And Physical Characteristics:

Description	Parameter	Units
Material	Copper	
Finish	Gold Plated	
Coax Connector	2.4mm Female	
Waveguide	WR22/UG-383/U-M	
Size	ø28.55*16.3	mm

**Outline Drawing:**

Unit:mm



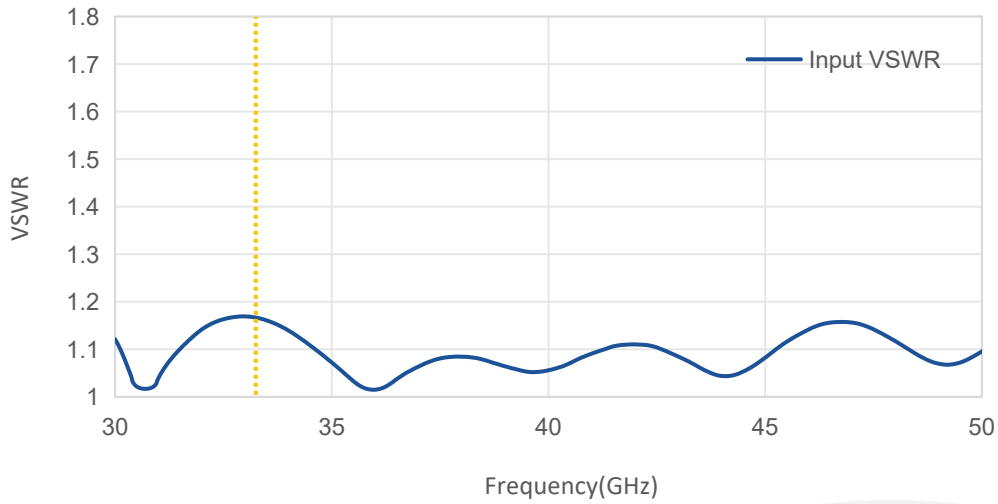
ESD Protection: Strictly adhere to ESD precautions to prevent electrostatic damage.

**Ordering Information:**

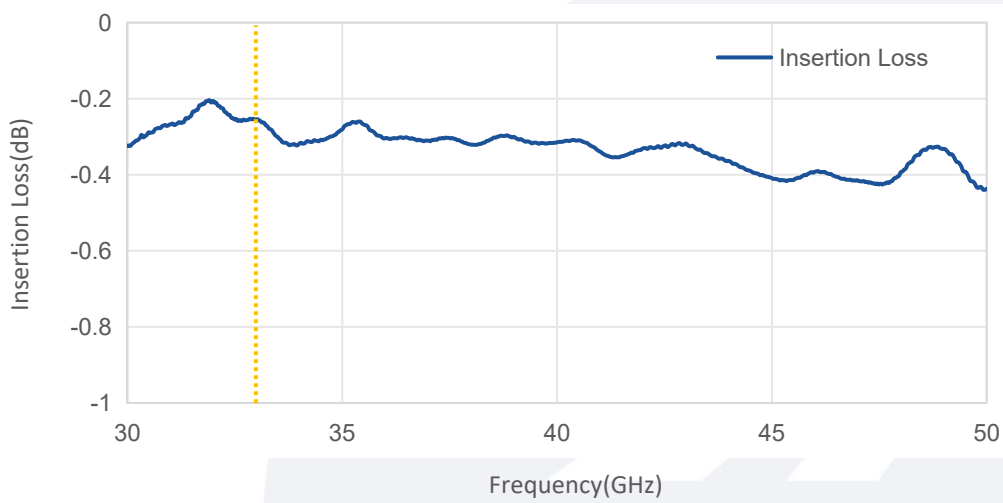
Base Number	Description	Revision
TL-22WCA2.4E-CU	Waveguide to Coax Adapter, End Launch WR22/2.4mm Female,33-50GHz	Rev.1.2

## Typical Performance Data:

### VSWR vs Frequency



### Insertion Loss vs Frequency



Note: Above data is for ref only, actual data may vary from unit to unit depending on operating environment and other factors like material lots etc.