

Dual Polarized Horn Antenna

2.92mm Female/18-40GHz/20 dBi Min, Gain

Model:TL-180400DPHA20K

TL-180400DPHA20K is a dual polarized horn antenna that operates from 18 to 40GHz, The antenna offers 20 dBi minimum gain. The antenna VSWR is 2.5:1 maximum. The antenna cross polarization isolation is minimum 20 dB. The antenna RF ports is 2.92mm female. It can be widely used in EMI detection, orientation, reconnaissance, antenna gain and pattern measurement and other application fields.

Features:

- Operating Frequency 18 to 40 GHz
- Gain: 20 dBi Min
- Dual Linear Polarization

Applications:

- Radar Systems
- Communication Systems

Electrical Characteristics:

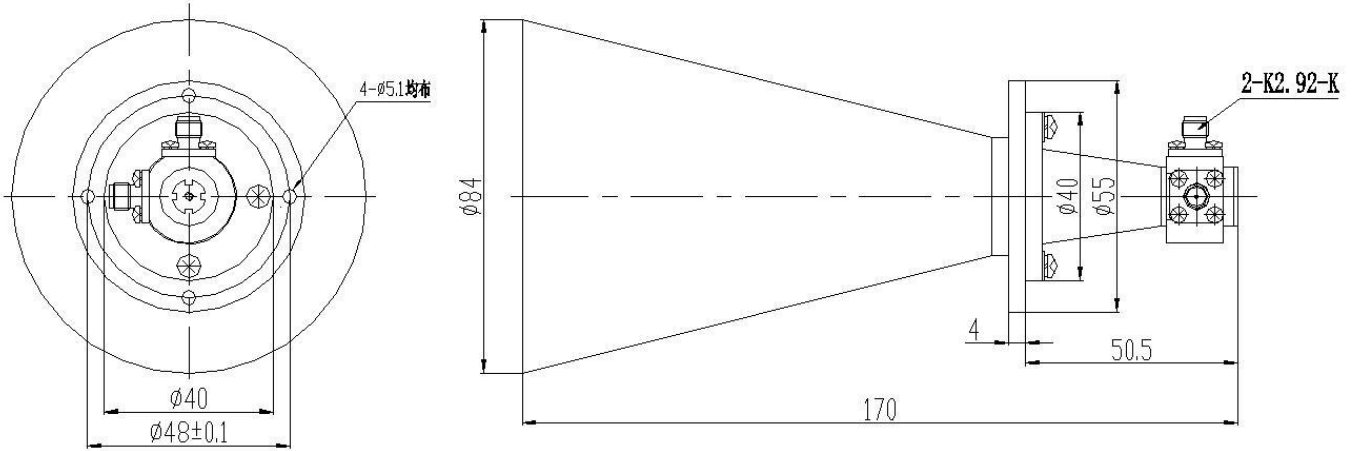
Parameter	Min	Typ	Max	Units
Frequency Range	18		40	GHz
Gain	20			dBi
Polarization mode	Dual Linear			
Input VSWR			2.5	:1
Port Isolation	25			dB
Cross Polarization Isolation	20			dB

Physical Characteristics:

Description	Parameter	Units
Material	Al	
Finish	True color conductive oxidation	
Connectors	2.92mm Female	
Size	ø84*140	mm
Weight	≤0.2	Kg

Outline Drawing:

Unit:mm



ESD Protection: Strictly adhere to ESD precautions to prevent electrostatic damage.

Ordering Information:

Base Number	Description	Revision
TL-180400DPHA20K	Dual Polarized Horn Antenna, 18-40GHz, Gain: 20dBi Min, 2.92mm Female	Rev.1.1