

## Dual Polarized Horn Antenna

2.92mm Female/12-40GHz/10 dBi Min, Gain

Model:TL-120400DPHA10K

TL-120400DPHA10K is a dual polarized horn antenna that operates from 12 to 40GHz, The antenna offers 10 dBi minimum gain. The antenna VSWR is 3:1 maximum. The antenna RF ports is 2.92mm female. It can be widely used in EMI detection, orientation, reconnaissance, antenna gain and pattern measurement and other application fields.

### Features:

- Operating Frequency 12 to 40 GHz
- Gain: 10 dBi Min
- Dual Linear Polarization

### Applications:

- Radar Systems
- Communication Systems

### Electrical Characteristics:

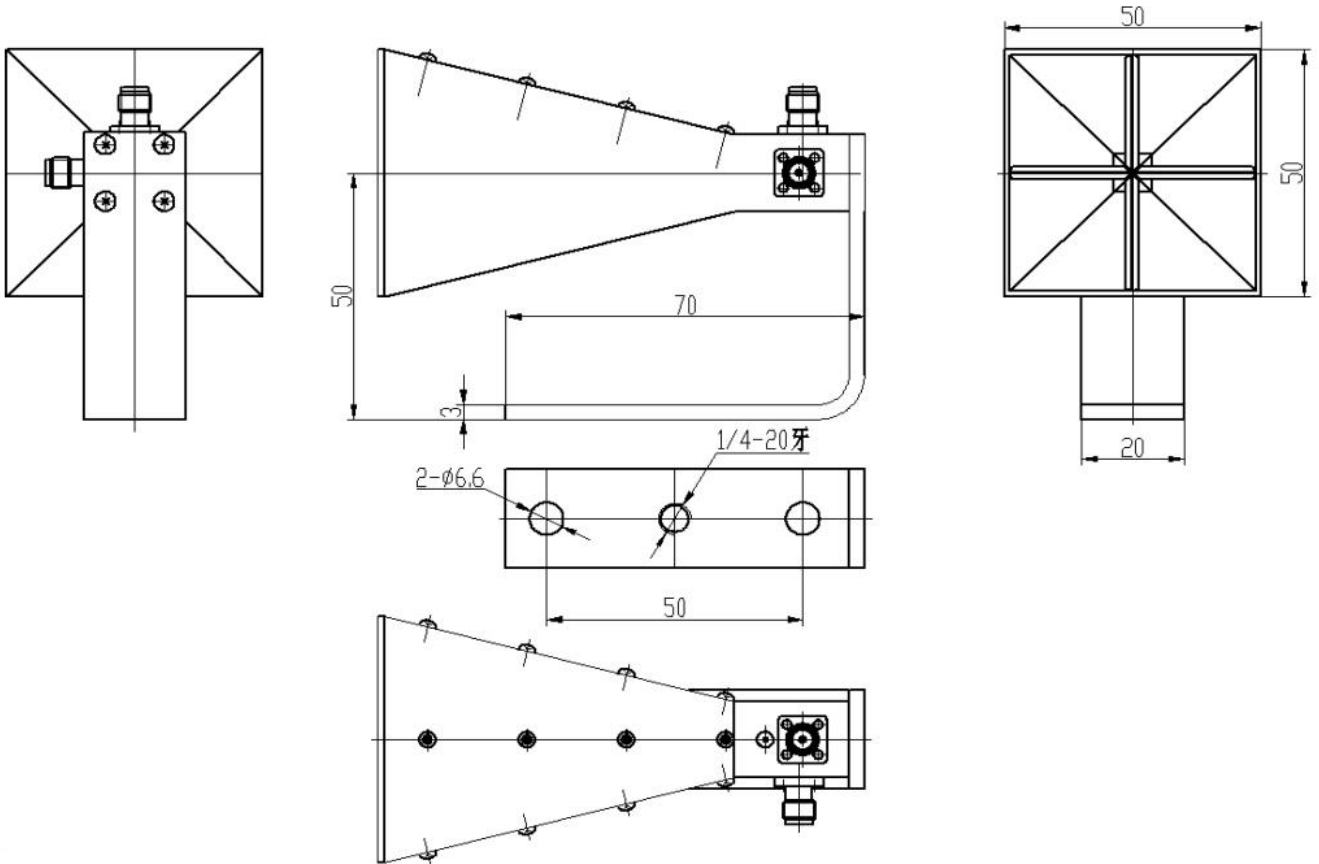

Parameter	Min	Typ	Max	Units
Frequency Range	12		40	GHz
Gain	10			dBi
Polarization mode	Dual Linear			
Input VSWR			3	:1

### Physical Characteristics:

Description	Parameter	Units
Material	Aluminum	
Finish	Conductive oxidation,Spray sea gray paint	
Connectors	2.92mm Female	

**Outline Drawing:**

Unit:mm

ESD Protection: Strictly adhere to ESD precautions to prevent electrostatic damage.

**Ordering Information:**

Base Number	Description	Revision
TL-120400DPHA10K	Dual Polarized Horn Antenna, 12-40GHz, Gain: 10dBi Min, 2.92mm Female	Rev.1.1