

Dual Polarized Horn Antenna

1.85mm Female/30-50GHz/25 dBi, Gain

Model:TL-22DHPA25V

TL-22DHPA25V is a dual polarized horn antenna that operates from 30 to 50GHz, The antenna offers 25 dBi typical gain. The antenna VSWR is 1.6:1 maximum. The antenna RF ports is 1.85mm female. It can be widely used in EMI detection, orientation, reconnaissance, antenna gain and pattern measurement and other application fields.

Features:

- Operating Frequency 30 to 50 GHz
- Gain: 25 dBi Typ
- Dual Linear Polarization

Applications:

- Radar Systems
- Communication Systems

Electrical Characteristics:

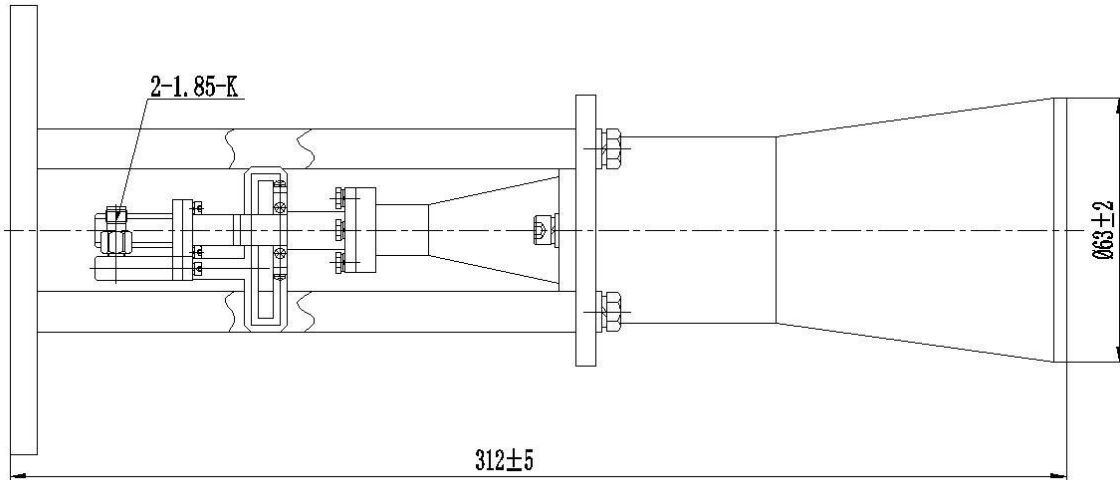
Parameter	Min	Typ	Max	Units
Frequency Range	30		50	GHz
Gain		25		dBi
Polarization mode	Dual Linear			
Input VSWR			1.6	:1

Physical Characteristics:

Description	Parameter	Units
Material	Copper	
Finish	Silver plated	
Connectors	1.85mm Female	
Size	ø120*312	mm

Outline Drawing:

Unit:mm



ESD Protection: Strictly adhere to ESD precautions to prevent electrostatic damage.

Ordering Information:

Base Number	Description	Revision
TL-22DHPA25V	Dual Polarized Horn Antenna, 30-50GHz, Gain: 25 dBi, 1.85mm Female	Rev.1.1