

Dual Polarized Horn Antenna FUGP740/60-90GHz/20dBi Min, Gain

Model:TL-12DPHA20

TL-12DPHA20 is a dual polarized horn antenna that operates from 60 to 90GHz, The antenna offers 20 dBi typical gain. The antenna VSWR is 2:1 typical. The antenna RF ports are FUGP740. It can be widely used in EMI detection, orientation, reconnaissance, antenna gain and pattern measurement and other application fields.

Features:

- Operating Frequency 60 to 90 GHz
- Gain: 20dBi Min
- Dual Linear Polarization

Applications:

- Radar Systems
- Communication Systems

Electrical Characteristics:

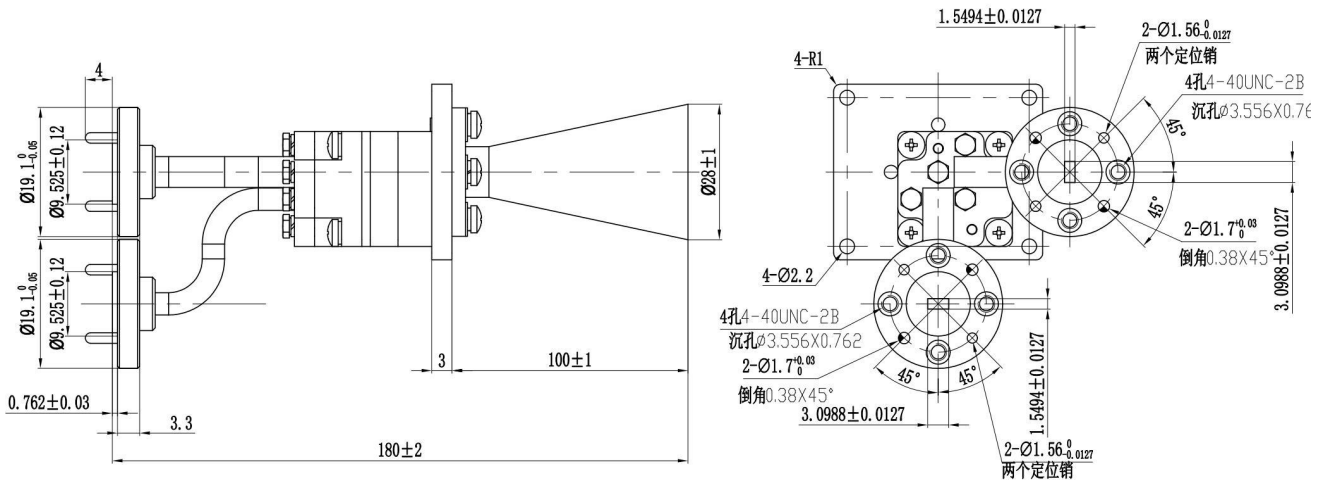
Parameter	Min	Typ	Max	Units
Frequency Range	60		90	GHz
Gain	20			dBi
Polarization mode	Dual Linear			
Input VSWR			2	:1

Physical Characteristics:

Description	Parameter	Units
Material	Copper	
Finish	Gold plated	
Connectors	FUGP740	
Size	ø60*180	mm

Outline Drawing:

Unit:mm



ESD Protection: Strictly adhere to ESD precautions to prevent electrostatic damage.

Ordering Information:

Base Number	Description	Revision
TL-12DPHA20	Dual Polarized Horn Antenna, 60-90GHz, Gain: 20 dBi Min, FUGP740	Rev.1.1