

DPDT Waveguide Switch

Latching, 75 to 110 GHz, WR-10

Electrical Characteristics:

| Parameter | Min | Typ | Max | Unit |
|----------------------------|---------------------------|-----|-----|--------|
| Frequency Range | 75 | | 110 | GHz |
| Control Mode | Latching, Manual/Electric | | | |
| Switching time@TEM=25°C | | | 50 | ms |
| Standard Actuator Life | 50000 | | | Cycles |
| Actuator voltage Available | | 24 | | V DC |
| Actuator current | | 1 | | A |

RF Specifications:

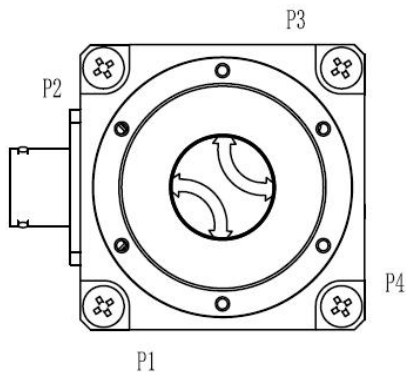
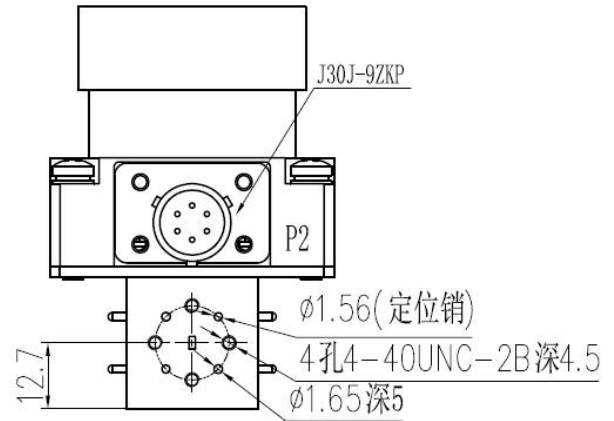
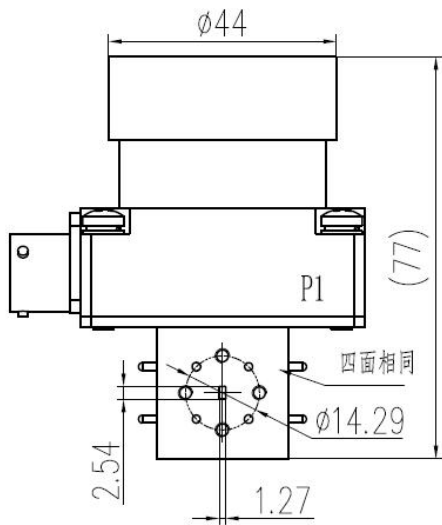
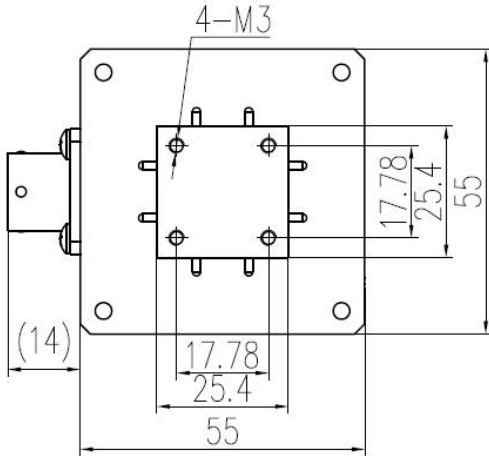
| Parameter | Min | Typ | Max | Unit |
|-----------------|-----|-----|------|------|
| Frequency Range | 75 | | 110 | GHz |
| Insertion Loss | | | 1 | dB |
| Isolation | 40 | | | dB |
| VSWR | | | 1.25 | :1 |

Environmental And Physical Characteristics:

| Parameter | Condition |
|---------------------------|----------------------|
| Operating Temperature | -40°C to +70°C |
| Non-operating Temperature | -50°C to +80°C |
| Vibration(operating) | 10G RMS, 20-2000HZ |
| Shock(non operating) | 50G, 1/2Sine, 12msec |
| Connector Type | WR-10 |
| Control Connector | TYB3112E10-6P |

Outline Drawing:

Unit: mm



Schematic:



| MS3221E10-6P | | RF Connect Used |
|--------------|--------------|------------------|
| Pin NO | FUNCTION | DPDT |
| A | V1 POSTION1 | POS1:P1-P2,P3-P4 |
| B | GND | |
| C | V2 POSTION2 | POS2:P1-P4,P2-P3 |
| D | IND POSTION1 | D-E ON; E-F OFF |
| E | IND COM | |
| F | IND POSTION2 | D-E OFF;E-F ON |

Outline Drawing:

| Part Number | Actuator voltage | Revision |
|-------------|------------------|----------|
| TWS-WR10 | 24 V | Rev.1.0 |