

## Dual Ridged Horn Antenna

2.92mm Female/8-40GHz/9dBi Max, Gain

Model:TL-80400DRHA9K

### Features:

- Operating Frequency 8 to 40GHz
- Gain: 9dBi Min
- Linear Polarization

### Applications:

- Radar Systems
- Communication Systems

### Electrical Characteristics:

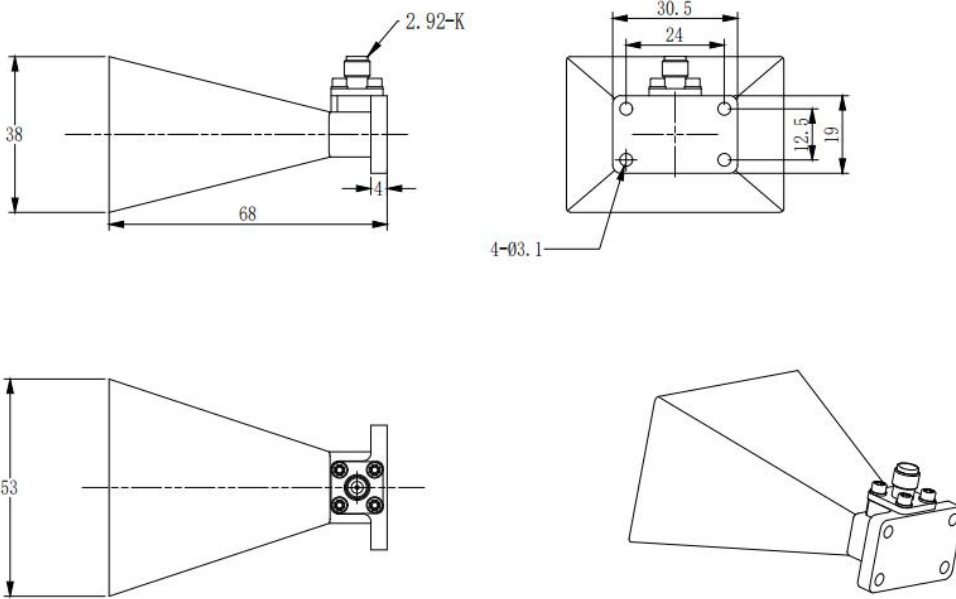

Parameter	Min	Typ	Max	Units
Frequency Range	8		40	GHz
Gain			9	dBi
Input VSWR			2.5	:1

### Physical Characteristics:

Description	Parameter	Units
Material	Aluminium	
Finish	Color oxidation,Spray sea gray paint	
Connectors	2.92mm Female	
Size	68*38*53	mm

**Outline Drawing:**

Unit:mm

ESD Protection: Strictly adhere to ESD precautions to prevent electrostatic damage.

**Ordering Information:**

Base Number	Description	Revision
TL-80400DRHA9K	Dual Ridged Horn Antenna, 8-40GHz, Gain: 9dBi Max, 2.92mm Female	Rev.1.0