

## Dual Ridged Horn Antenna

FPWRD650D28/6-18GHz/20dBi Typ, Gain

Model:TL-60180DRHA20

### Features:

- Operating Frequency 6 to 18GHz
- Gain: 20 dBi Typ
- Linear Polarization

### Applications:

- Radar Systems
- Communication Systems

### Electrical Characteristics:

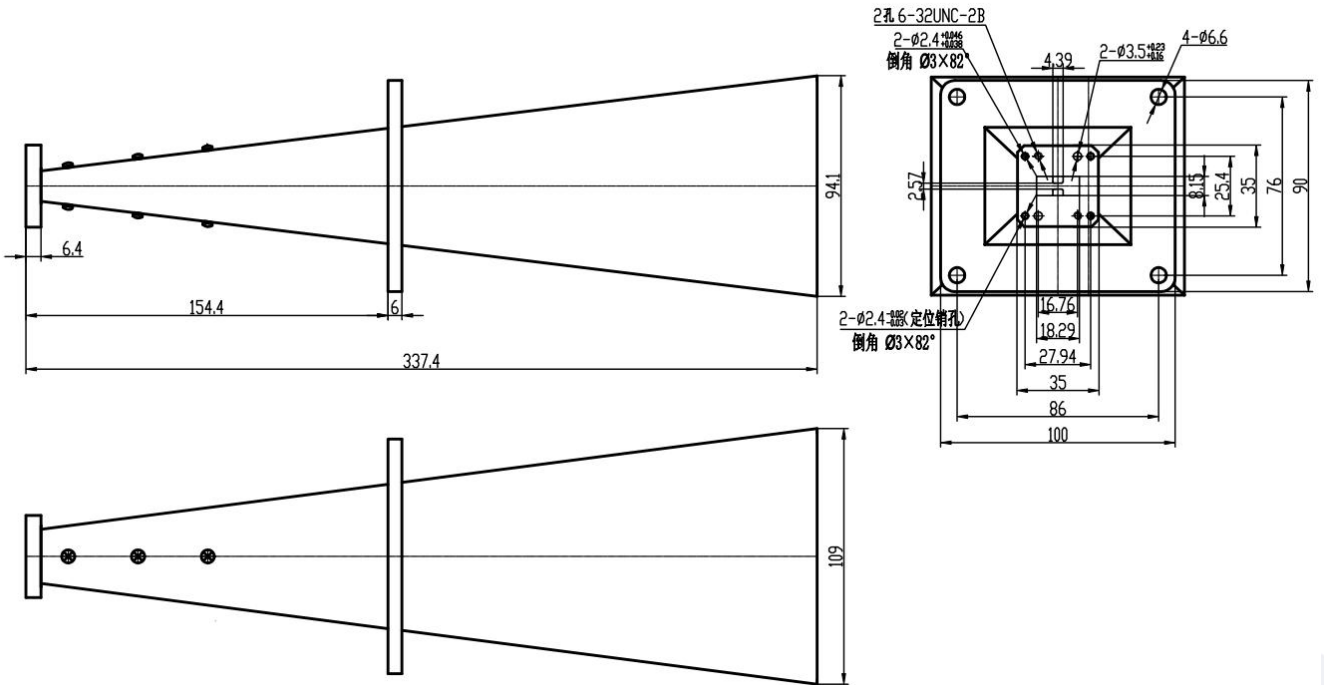
Parameter		Min	Typ	Max	Units
Frequency Range		6		18	GHz
Gain			20		dBi
Input VSWR			1.5	2	:1
3dB Beamwidth	E	7		29	°
	H	8		32	
Polarization Mode		Linear			
Cross Polarization Isolation			40		dB

### Physical Characteristics:

Description	Parameter	Units
Material	Aluminium	
Finish	Conductive oxidation,spray sea gray paint	
Connectors	FPWRD650D28	
Length	337.4	mm

Outline Drawing:

Unit:mm



ESD Protection: Strictly adhere to ESD precautions to prevent electrostatic damage.

### Ordering Information:

Base Number	Description	Revision
TL-60180DRHA20	Dual Ridged Horn Antenna, 6-18GHz, Gain: 20dBi Typ, WRD650D	Rev.1.0