

Dual Ridged Horn Antenna

SMA Female/1-8GHz/3~12dB, Gain

Model:TL-1080DRHA7S

Features:

- Operating Frequency 1 to 8 GHz
- Gain: 3~12dBi Min
- Linear Polarization

Applications:

- Radar Systems
- Communication Systems

Electrical Characteristics:

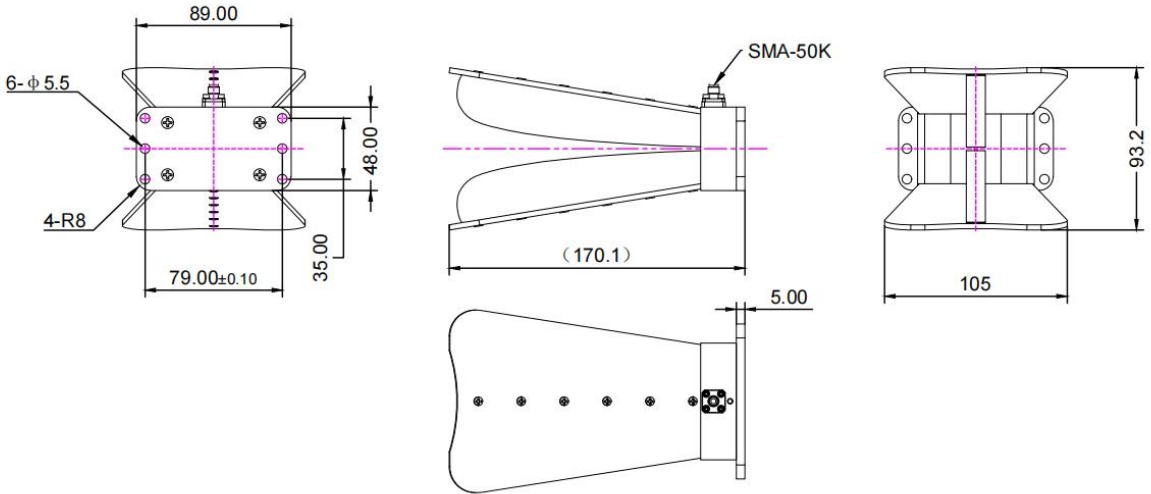

Parameter	Min	Typ	Max	Units
Frequency Range	1		8	GHz
Gain	3		12	dBi
Input VSWR			2.5	:1
Cross polarization isolation	20			dB

Physical Characteristics:

Description	Parameter	Units
Material	Aluminium	
Finish	Anodic oxidation	
Connectors	SMA Female	
Size	170.1*105*93.2	mm

Outline Drawing:

Unit:mm

ESD Protection: Strictly adhere to ESD precautions to prevent electrostatic damage.

Ordering Information:

Base Number	Description	Revision
TL-1080DRHA7S	Dual Ridged Horn Antenna, 1-8GHz,Gain: 3~12dBi Min,SMA Female	Rev.1.0