

Dual Ridged Horn Antenna

1-6GHz/6dBi Min, Gain

Model:TL-1060DRHA9K

Features:

- Operating Frequency 1 to 6GHz
- Gain: 6dBi Min
- Linear Polarization

Applications:

- Radar Systems
- Communication Systems

Electrical Characteristics:

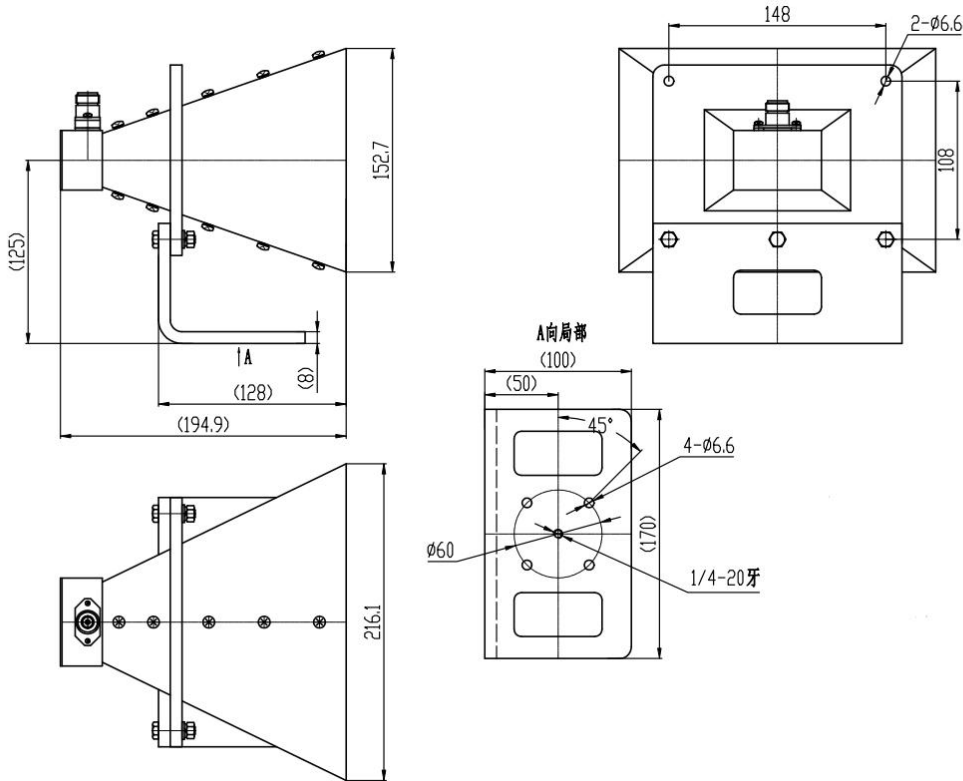

Parameter	Min	Typ	Max	Units
Frequency Range	1		6	GHz
Gain	6			dBi
Input VSWR			2	:1
Power Handling		Average: 200		W

Physical Characteristics:

Description	Parameter	Units
Material	Aluminium	
Finish	Conductive oxidation,Spray paint	
Connectors	TBD	
Size	194.9*152.7*216.1	mm

Outline Drawing:

Unit:mm

ESD Protection: Strictly adhere to ESD precautions to prevent electrostatic damage.

Ordering Information:

Base Number	Description	Revision
TL-1060DRHA9K	Dual Ridged Horn Antenna, 1-6GHz, Gain: 6dBi Min	Rev.1.0