

Dual Ridged Horn Antenna

N Female/0.6-6GHz/14dBi Min, Gain

Model:TL-0660DRHA14NMF

Features:

- Operating Frequency 0.6 to 6GHz
- Gain: 14 dBi Min
- Linear Polarization

Applications:

- Radar Systems
- Communication Systems

Electrical Characteristics:

Parameter	Min	Typ	Max	Units
Frequency Range	0.6		6	GHz
Gain@1.8GHz	14			dBi
Input VSWR			2.5	:1
Beamwidth@1.7GHz			40	°
Ingress Protection Grade		IP65		

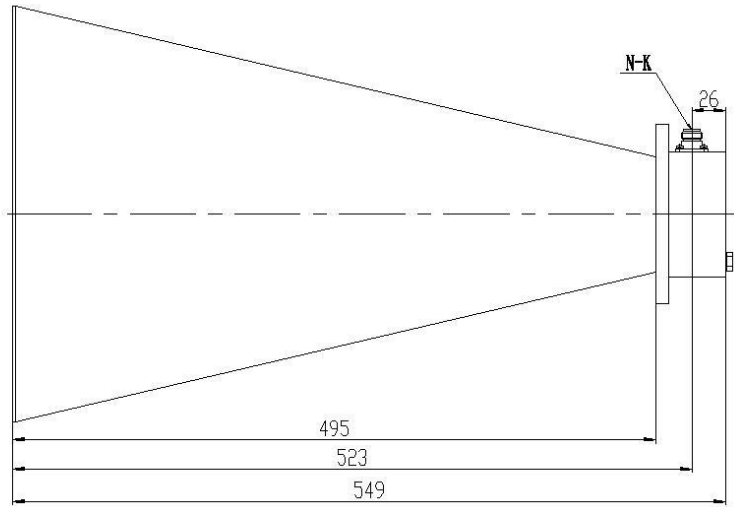
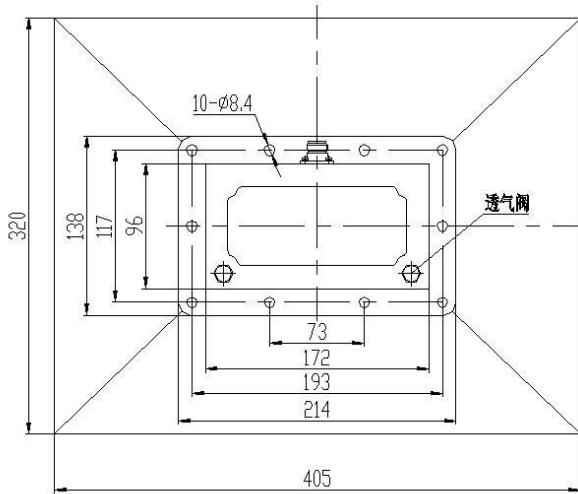

Note: Antenna surface protection requirements: horn film (epoxy plate thickness 0.5mm).

Physical Characteristics:

Description	Parameter	Units
Material	Aluminium	
Finish	Conductive oxidation,Spray sea gray paint	
Connectors	N Female	
Size	405*320*550	mm

Outline Drawing:

Unit:mm

ESD Protection: Strictly adhere to ESD precautions to prevent electrostatic damage.

Ordering Information:

Base Number	Description	Revision
TL-0660DRHA14NMF	Dual Ridged Horn Antenna, 0.6-6GHz,Gain: 14dBi Min,N Female	Rev.1.0