

## Dual Ridged Horn Antenna

N Female/0.6-6GHz/14dBi@1.8GHz, Gain

Model:TL-0660DRHA14N

### Features:

- Operating Frequency 0.6 to 6 GHz
- Gain: 14dBi@1.8GHz
- Linear Polarization

### Applications:

- Radar Systems
- Communication Systems

### Electrical Characteristics:

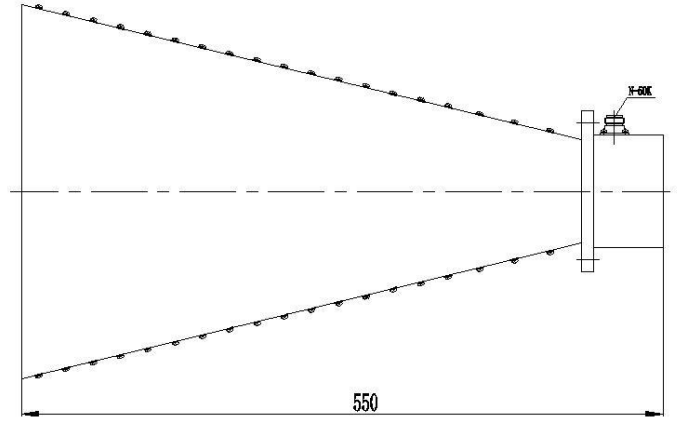
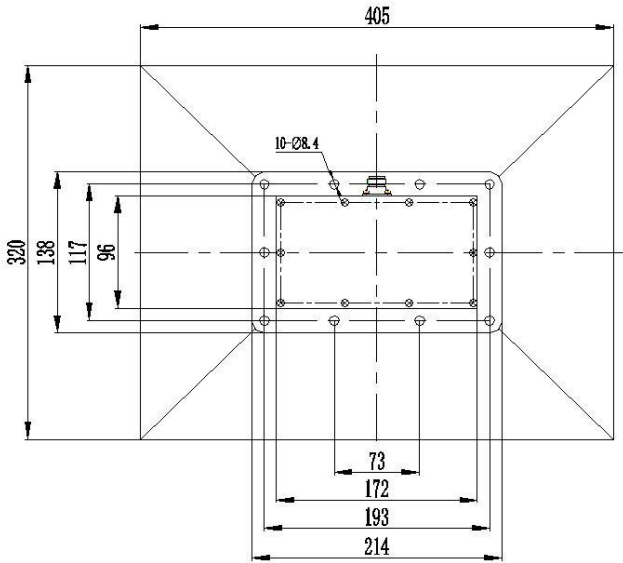
| Parameter       | Min | Typ | Max | Units |
|-----------------|-----|-----|-----|-------|
| Frequency Range | 0.6 |     | 6   | GHz   |
| Gain@1.8GHz     |     | 14  |     | dBi   |
| Input VSWR      |     |     | 2.5 | :1    |

### Physical Characteristics:

| Description | Parameter                                 | Units |
|-------------|---|-------|
| Material    | Aluminium                                 |       |
| Finish      | Conductive oxidation,Spray sea gray paint |       |
| Connectors  | N Female                                  |       |
| Size        | 405*320*550                               | mm    |

**Outline Drawing:**

Unit:mm



ESD Protection: Strictly adhere to ESD precautions to prevent electrostatic damage.

**Ordering Information:**

| Base Number    | Description  | Revision |
|----------------|--|----------|
| TL-0660DRHA14N | Dual Ridged Horn Antenna,<br>0.6-6GHz,Gain: 14dBi Min,N Female | Rev.1.0  |