

Standard Gain Horn Antenna

FBP220/17.6-26.7GHz/20dBi Typ, Gain

Model:TL-42SHA20

TL-42SHA20 is a standard gain horn antenna that operates from 17.6 GHz to 26.7 GHz. The antenna offers 20 dBi nominal gain. The input of this antenna is a WR42 waveguide with FBP220 anti-cocking flange. The standard gain horn is offered for antenna range calibration purpose mainly, but it can be also used for general purpose system set ups.

Features:

- Operating Frequency 17.6 to 26.7 GHz
- Good Impedance Match

Applications:

- Antenna Ranges
- Antenna Gain Measurements
- System Setups

Electrical Characteristics:

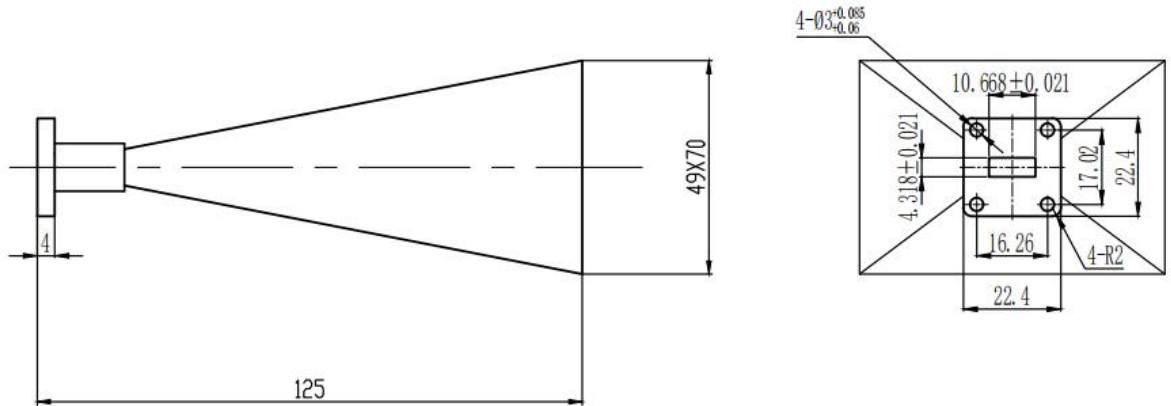
Parameter	Min	Typ	Max	Units
Frequency Range	17.6		26.7	GHz
Gain		20		dBi
Input VSWR			1.25	:1

Environmental And Physical Characteristics:

Description	Parameter	Units
Material	Silver-plated Brass	
Finish	Spray sea gray paint	
Connectors	FBP220	
Size	125*49*70	mm

Outline Drawing:

Unit:mm



ESD Protection: Strictly adhere to ESD precautions to prevent electrostatic damage.

Ordering Information:

Base Number	Description	Revision
TL-42SHA20	Standard Gain Horn Antenna, 17.6-26.7GHz, Gain: 20 dBi Typ.	Rev.1.0