

## Standard Gain Horn Antenna

32.9-50.1GHz/25dBi , Gain/WR-22

Model:TL-22SHA25-T1

TL-22SHA25-T1 is a standard gain horn antenna that operates from 32.9 GHz to 50.1 GHz. The antenna offers 25 dBi nominal gain. The input of this antenna is a WR22 waveguide with BJ400 anti-cocking flange. The standard gain horn is offered for antenna range calibration purpose mainly, but it can be also used for general purpose system set ups.

### Features:

- Operating Frequency 32.9 to 50.1 GHz
- Linear Polarization
- Good Impedance Match

### Applications:

- Antenna Ranges
- Antenna Gain Measurements
- System Setups

### Electrical Characteristics:

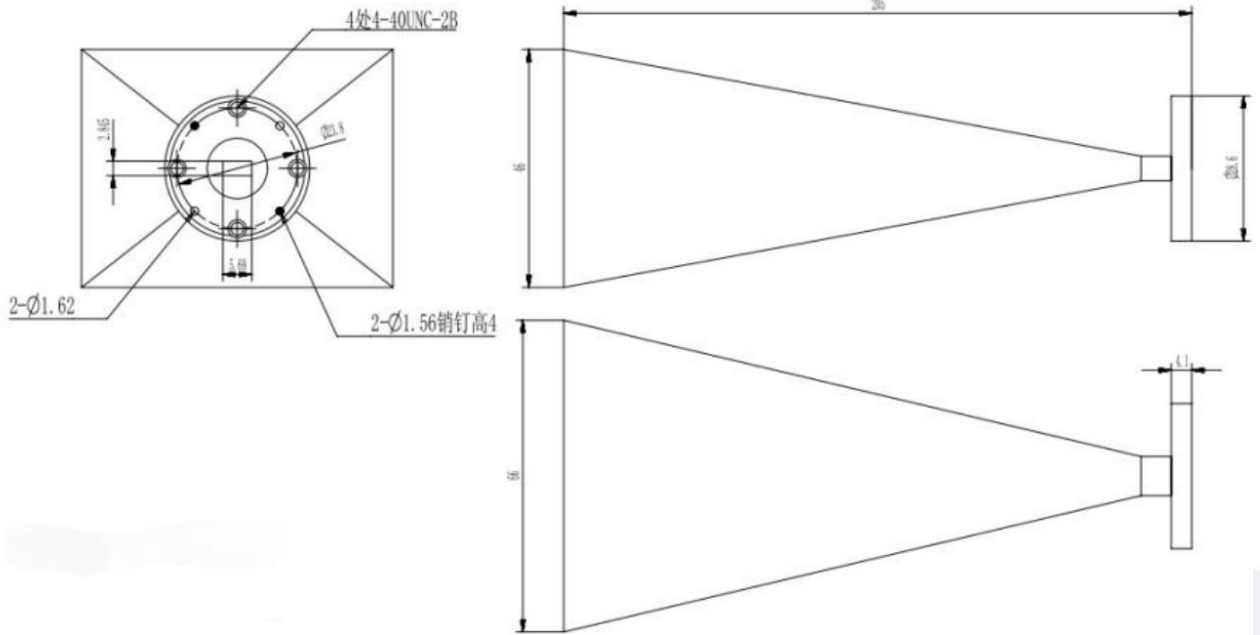
Parameter	Min	Typ	Max	Units
Frequency Range	32.9		50.1	GHz
Gain		25		dBi
Input VSWR			1.2	:1

### Environmental And Physical Characteristics:

Description	Parameter	Units
Operating Temperature	-40 To +85	°C
Storage Temperature	-40 to +85	°C
Material	Copper	
Finish	Gold plated	
Connectors	WR-22/BJ400	

**Outline Drawing:**

Unit:mm



ESD Protection: Strictly adhere to ESD precautions to prevent electrostatic damage.

**Ordering Information:**

Base Number	Description	Revision
TL-22SHA25-T1	Standard Gain Horn Antenna, 32.9-50.1GHz, Gain: 25 dBi Typ.	Rev.1.0