

Standard Gain Horn Antenna

WR-22/33-50GHz/20dBi Typ, Gain

Model:TL-22SHA20

TL-22SHA20 is a standard gain horn antenna that operates from 33 GHz to 50 GHz. The antenna offers 20 dBi nominal gain. The input of this antenna is a WR22 waveguide with BJ400 anti-cocking flange. The standard gain horn is offered for antenna range calibration purpose mainly, but it can be also used for general purpose system set ups.

Features:

- Operating Frequency 33 to 50 GHz
- Linear Polarization
- Good Impedance Match

Applications:

- Antenna Ranges
- Antenna Gain Measurements
- System Setups

Electrical Characteristics:

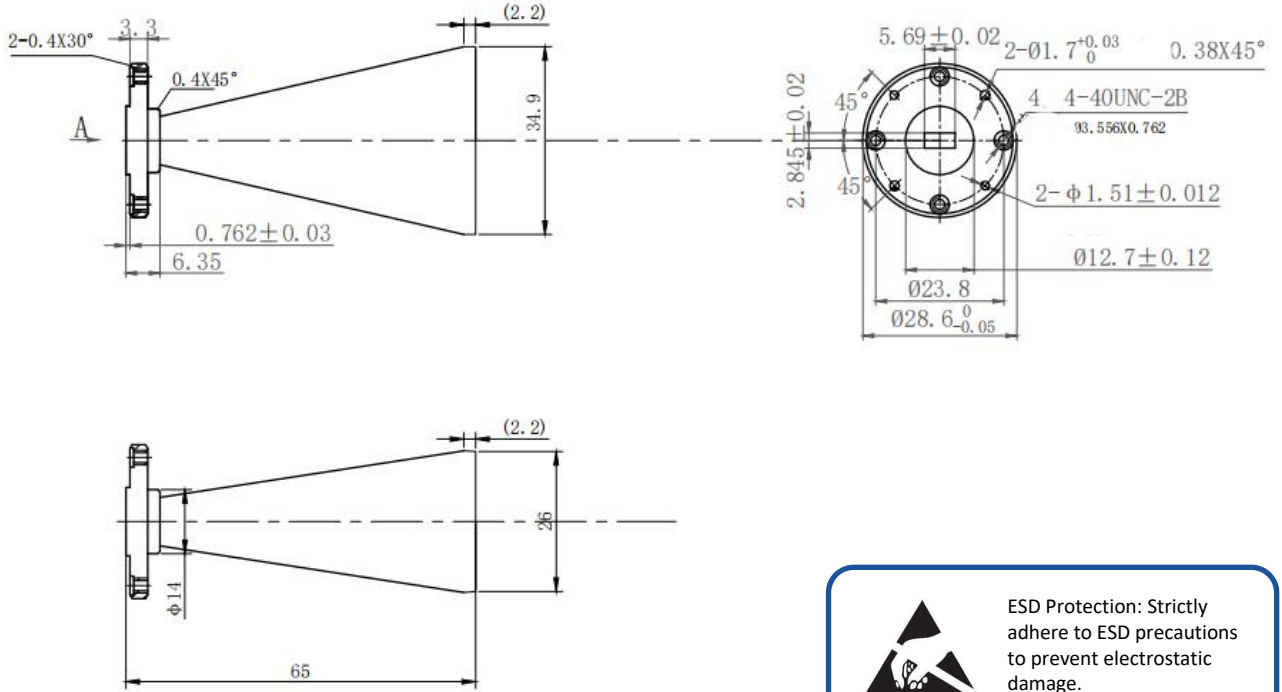
Parameter	Min	Typ	Max	Units
Frequency Range	33		50	GHz
Gain		20		dBi
Input VSWR			1.25	:1

Environmental And Physical Characteristics:

Description	Parameter	Units
Material	Copper	
Finish	Gold plated	
Connectors	WR-22	
Length	65	mm

Outline Drawing:

Unit:mm



ESD Protection: Strictly adhere to ESD precautions to prevent electrostatic damage.

Ordering Information:

Base Number	Description	Revision
TL-22SHA20	Standard Gain Horn Antenna, 33-50GHz, Gain: 20 dBi Typ.	Rev.1.0