

Standard Gain Horn Antenna

40-60GHz/20dBi Typ, Gain/WR-19

Model:TL-19SHA20

TL-19SHA20 is a standard gain horn antenna that operates from 40 GHz to 60 GHz. The antenna offers 20 dBi nominal gain. The input of this antenna is a WR-19 waveguide with UG-383/U anti-cocking flange. The standard gain horn is offered for antenna range calibration purpose mainly, but it can be also used for general purpose system set ups.

Features:

- Operating Frequency 40 to 60 GHz
- Good Impedance Match

Applications:

- Antenna Ranges
- Antenna Gain Measurements
- System Setups

Electrical Characteristics:

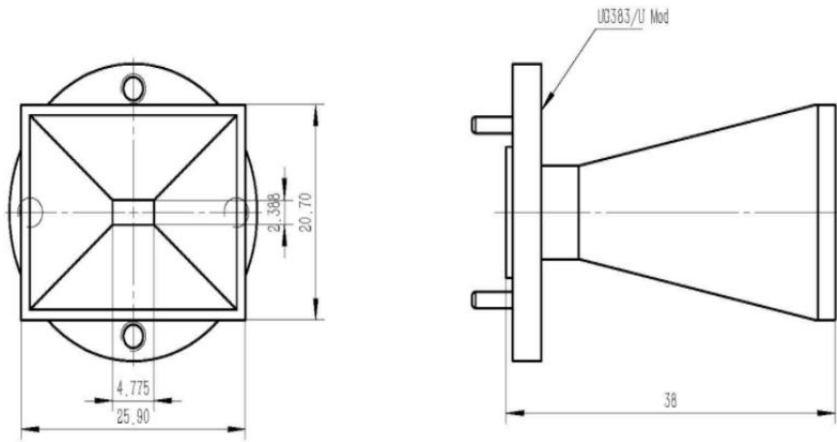
Parameter	Min	Typ	Max	Units
Frequency Range	40		60	GHz
Gain		20		dBi
Input VSWR			1.25	:1

Environmental And Physical Characteristics:

Description	Parameter	Units
Material	Copper	
Finish	Gold plating, Spray blue paint	
Connectors	WR-19/UG-383/U	
Length	38	mm

Outline Drawing:

Unit:mm



ESD Protection: Strictly adhere to ESD precautions to prevent electrostatic damage.

Ordering Information:

Base Number	Description	Revision
TL-19SHA20	Standard Gain Horn Antenna, 40-60GHz, Gain: 20dBi Typ.	Rev.1.0