

Standard Gain Horn Antenna

50-75GHz/25dBi Typ, Gain/WR-15

Model:TL-15SHA25-T1

TL-15SHA25-T1 is a standard gain horn antenna that operates from 50 GHz to 75 GHz. The antenna offers 25 dBi nominal gain. The input of this antenna is a WR-15 waveguide with UG-385/U anti-cocking flange. The standard gain horn is offered for antenna range calibration purpose mainly, but it can be also used for general purpose system set ups.

Features:

- Operating Frequency 50 to 75 GHz
- Linear Polarization
- Good Impedance Match

Applications:

- Antenna Ranges
- Antenna Gain Measurements
- System Setups

Electrical Characteristics:

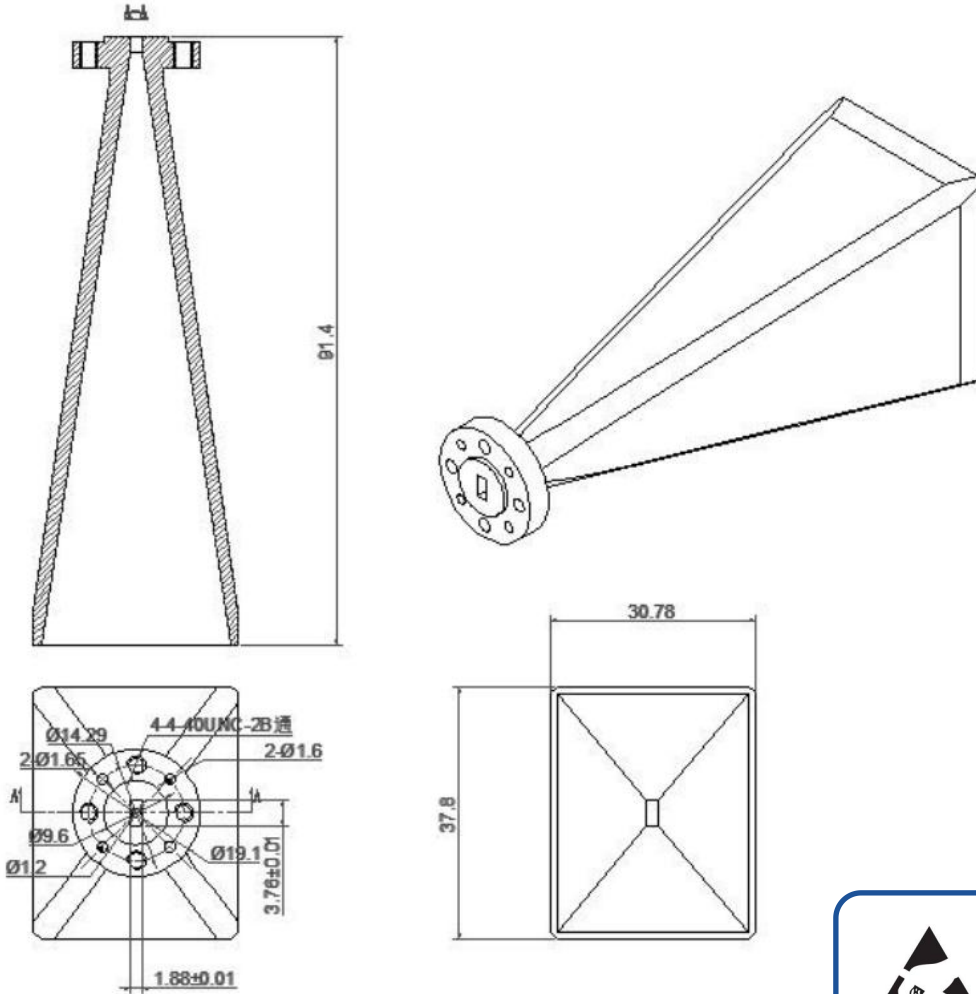

Parameter	Min	Typ	Max	Units
Frequency Range	50		75	GHz
Gain		25		dBi
Polarization	Linear			
Input VSWR			1.1	:1

Environmental And Physical Characteristics:

Description	Parameter	Units
Operating Temperature	-40 To +85	°C
Storage Temperature	-40 to +85	°C
Material	Brass	
Finish	Gold plating	
Connectors	WR-15/UG-385/U	
Size	30.78*37.8*91.4	mm
Weight	150	g

Outline Drawing:

Unit:mm

ESD Protection: Strictly adhere to ESD precautions to prevent electrostatic damage.

Ordering Information:

Base Number	Description	Revision
TL-15SHA25-T1	Standard Gain Horn Antenna, 50-75GHz, Gain: 25dBi Typ.	Rev.1.0