

Standard Gain Horn Antenna

WR-15/50-75GHz/20 dBi Typ, Gain

Model:TL-15SHA20

Features:

- Operating Frequency 50 to 75 GHz
- Linear Polarization
- Good Impedance Match

Applications:

- Antenna Ranges
- Antenna Gain Measurements
- System Setups

Electrical Characteristics:

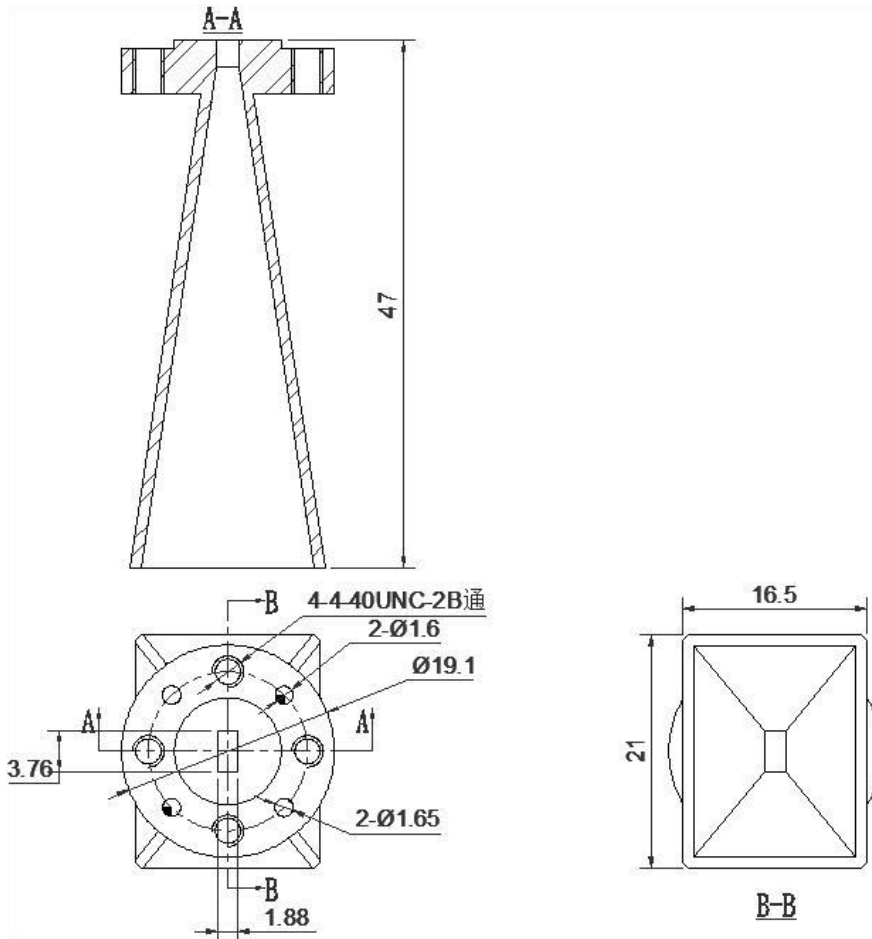
Parameter	Min	Typ	Max	Units
Frequency Range	50		75	GHz
Gain		20		dBi
Polarization mode	Linear			
Input VSWR			1.1	:1

Environmental And Physical Characteristics:

Description	Parameter	Units
Material	Brass	
Connectors	WR-15/UG-385/U	
Size	47*16.5*21	mm
Weight	30	g

Outline Drawing:

Unit:mm

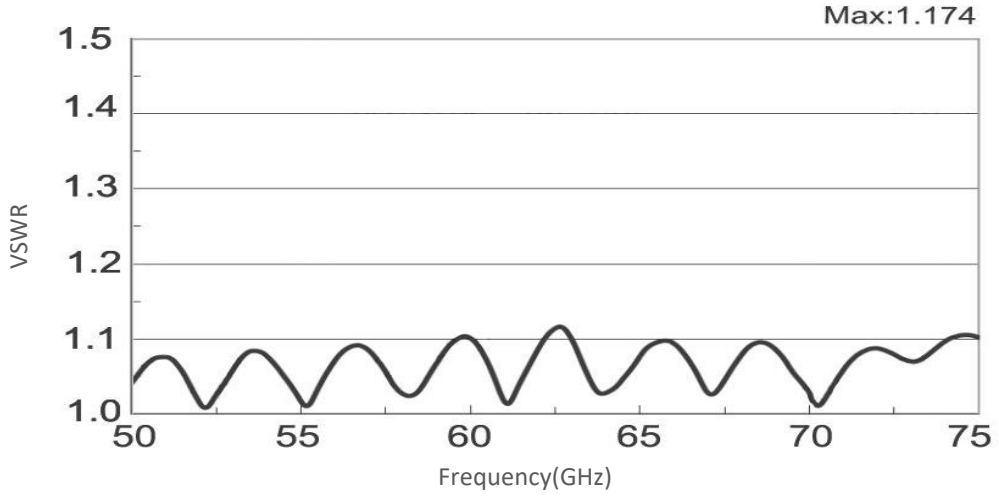


Ordering Information:

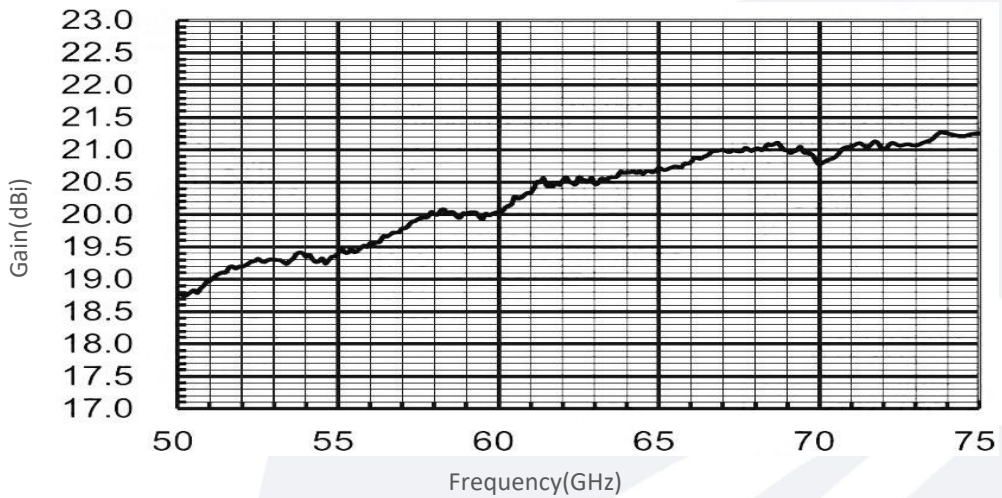
Base Number	Description	Revision
TL-15SHA20	Standard Gain Horn Antenna, 50-75GHz, Gain: 20 dBi Typ.	Rev.1.1

Typical Performance Data:

VSWR vs Frequency



Gain vs Frequency



Note: Above data is for ref only, actual data may vary from unit to unit depending on operating environment and other factors like material lots etc.