

Standard Gain Horn Antenna

60-90GHz/25dBi Typ, Gain/WR-12

Model: TL-12SHA25-T1

TL-12SHA25-T1 is a standard gain horn antenna that operates from 60 GHz to 90 GHz. The antenna offers 25 dBi nominal gain. The input of this antenna is a WR-12 waveguide with UG-387/U anti-cocking flange. The standard gain horn is offered for antenna range calibration purpose mainly, but it can be also used for general purpose system set ups.

Features:

- Operating Frequency 60 to 90 GHz
- Linear Polarization
- Good Impedance Match

Applications:

- Antenna Ranges
- Antenna Gain Measurements
- System Setups

Electrical Characteristics:

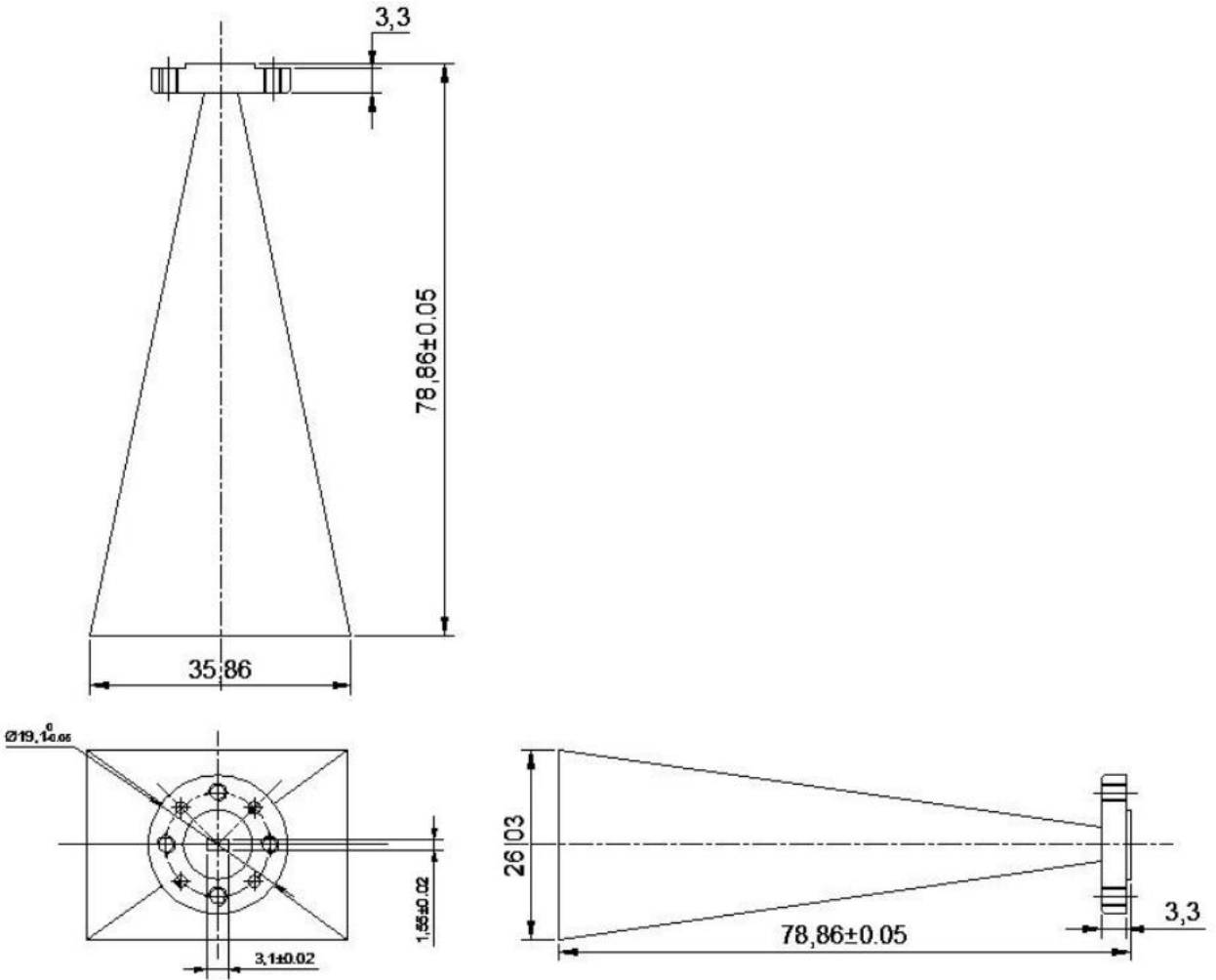
Parameter	Min	Typ	Max	Units
Frequency Range	60		90	GHz
Gain		25		dBi
Polarization	Linear			
Input VSWR			1.1	:1

Environmental And Physical Characteristics:

Description	Parameter	Units
Operating Temperature	-40 To +85	°C
Storage Temperature	-40 to +85	°C
Material	Brass	
Finish	Gold plated	
Connectors	WR-12/UG-387/U	
Size	35.86*26.03*78.86	mm
Weight	50	g

Outline Drawing:

Unit:mm



ESD Protection: Strictly adhere to ESD precautions to prevent electrostatic damage.

Ordering Information:

Base Number	Description	Revision
TL-12SHA25-T1	Standard Gain Horn Antenna, 60-90GHz, Gain: 25dBi Typ.	Rev.1.0